



SWITCHBACK CREEK
at Sun Peaks

HVAC



October 22, 2024

A&T Project Developments
#102-1339 McGill Road
Kamloops, BC
V2C 6K7

RE: Switchback Creek, Sun Peaks BC

Attention: Mark Tommasini / Lindsay Stobbe,

We are pleased to offer you our letter of warranty for the mechanical work we provided for the required 1-year period from the date of substantial completion and occupancy. Please be advised that if any warrantable issues arise during this 1year period of time, KBM must be notified.

Sincerely,

Robert H. Davies PM GSC

K.B. Mechanical Ltd.
450 Lorne Street
Kamloops, BC, V2C 1W3
C: 250-320-2242
W:250-214-1971
E: rob@kbmech.ca

PERMIT STATUS NOTIFICATION

October 11, 2024

K Builders Mechanical Ltd
450 LORNE STREET
KAMLOOPS BC V2C 1W3

GA - Installation Contractor Residential Multi-Unit Dwelling

Installation Address: Switchback Creek - BLDG #A UNIT #1
BLDG #A UNIT #1-7000 MCGILLIVRAY CREEK ROAD
SUNPEAKS BC V0E 5N0

Contractor / Owner: K Builders Mechanical Ltd

Description of Work: Piping only- 1 Fireplace 1 BBQ & 1 Range

PERMIT STATUS: Closed

Although the permit status may be complete Technical Safety BC reserves the right to assess this installation for compliance with the Safety Standards Act and Regulations.

For information on the Safety Standards Act, Regulations, and the Review/Appeal process, please visit www.technicalsaftybc.ca.

BC Safety Authority is now **Technical Safety BC**. While we have changed our name, we remain committed to our vision of *Safe Technical Systems. Everywhere*. Learn more about our evolving services and how we share safety knowledge at www.technicalsaftybc.ca.

PERMIT STATUS NOTIFICATION

October 11, 2024

K Builders Mechanical Ltd
450 LORNE STREET
KAMLOOPS BC V2C 1W3

GA - Installation Contractor Residential Multi-Unit Dwelling

Installation Address: Switchback Creek - BLDG #A UNIT #2
BLDG #A UNIT #2-7000 MCGILLIVRAY CREEK ROAD
SUN PEAKS BC V0E 5N0

Contractor / Owner: K Builders Mechanical Ltd

Description of Work: Piping Only - 1 Fireplace 1 BBQ & 1 Range

PERMIT STATUS: Closed

Although the permit status may be complete Technical Safety BC reserves the right to assess this installation for compliance with the Safety Standards Act and Regulations.

For information on the Safety Standards Act, Regulations, and the Review/Appeal process, please visit www.technicalsaftybc.ca.

BC Safety Authority is now **Technical Safety BC**. While we have changed our name, we remain committed to our vision of *Safe Technical Systems. Everywhere.* Learn more about our evolving services and how we share safety knowledge at www.technicalsaftybc.ca.

PERMIT STATUS NOTIFICATION

October 11, 2024

K Builders Mechanical Ltd
450 LORNE STREET
KAMLOOPS BC V2C 1W3

GA - Installation Contractor Residential Multi-Unit Dwelling

Installation Address: Switchback Creek - BLDG #A UNIT #3
BLDG #A UNIT #3-7000 MCGILLIVRAY CREEK ROAD
SUNPEAKS BC V0E 5N0

Contractor / Owner: K Builders Mechanical Ltd

Description of Work: Piping Only - 1 Fireplace 1 BBQ & 1 Range

PERMIT STATUS: Closed

Although the permit status may be complete Technical Safety BC reserves the right to assess this installation for compliance with the Safety Standards Act and Regulations.

For information on the Safety Standards Act, Regulations, and the Review/Appeal process, please visit www.technicalsaftybc.ca.

BC Safety Authority is now **Technical Safety BC**. While we have changed our name, we remain committed to our vision of *Safe Technical Systems. Everywhere.* Learn more about our evolving services and how we share safety knowledge at www.technicalsaftybc.ca.

PERMIT STATUS NOTIFICATION

October 11, 2024

K Builders Mechanical Ltd
450 LORNE STREET
KAMLOOPS BC V2C 1W3

GA - Installation Contractor Residential Multi-Unit Dwelling

Installation Address: Switchback Creek BLDG# A UNIT #4
BLDG #A UNIT #4-7000 MCGILLIVRAY CREEK ROAD
SUN PEAKS BC V0E 5N0

Contractor / Owner: K Builders Mechanical Ltd

Description of Work: Piping Only - 1 Fireplace 1 BBQ & 1 Range

PERMIT STATUS: Closed

Although the permit status may be complete Technical Safety BC reserves the right to assess this installation for compliance with the Safety Standards Act and Regulations.

For information on the Safety Standards Act, Regulations, and the Review/Appeal process, please visit www.technicalsaftybc.ca.

BC Safety Authority is now **Technical Safety BC**. While we have changed our name, we remain committed to our vision of *Safe Technical Systems. Everywhere.* Learn more about our evolving services and how we share safety knowledge at www.technicalsaftybc.ca.



October 22, 2024

A&T Project Developments
#102-1339 McGill Road
Kamloops, BC
V2C 6K7

RE: Switchback Creek, Sun Peaks BC

Attention: Mark Tommasini / Lindsay Stobbe,

Please be advised that the Heat Recovery Ventilators , HRV5-150 are installed as per manufacturer recommendations.

Sincerely,

Robert H. Davies PM GSC

K.B. Mechanical Ltd.
450 Lorne Street
Kamloops, BC, V2C 1W3
C: 250-320-2242
W:250-214-1971
E: rob@kbmech.ca



Shop Drawing Review

October 18, 2023

Project:	Switchback Creek Sun Peaks BC
Architect:	Gravity Architecture
General Contractor:	A&T Project Developments
Mechanical Consultant:	N/A
Electrical Consultant:	N/A
Structural Consultant:	N/A
Mechanical Contractor:	KB Mechanical Ltd.
Electrical Contractor:	Howell Electric Ltd.

Project Equipment:

Mini Make Up Air, Broan Exhaust Fans, Axial Fans

Comments:

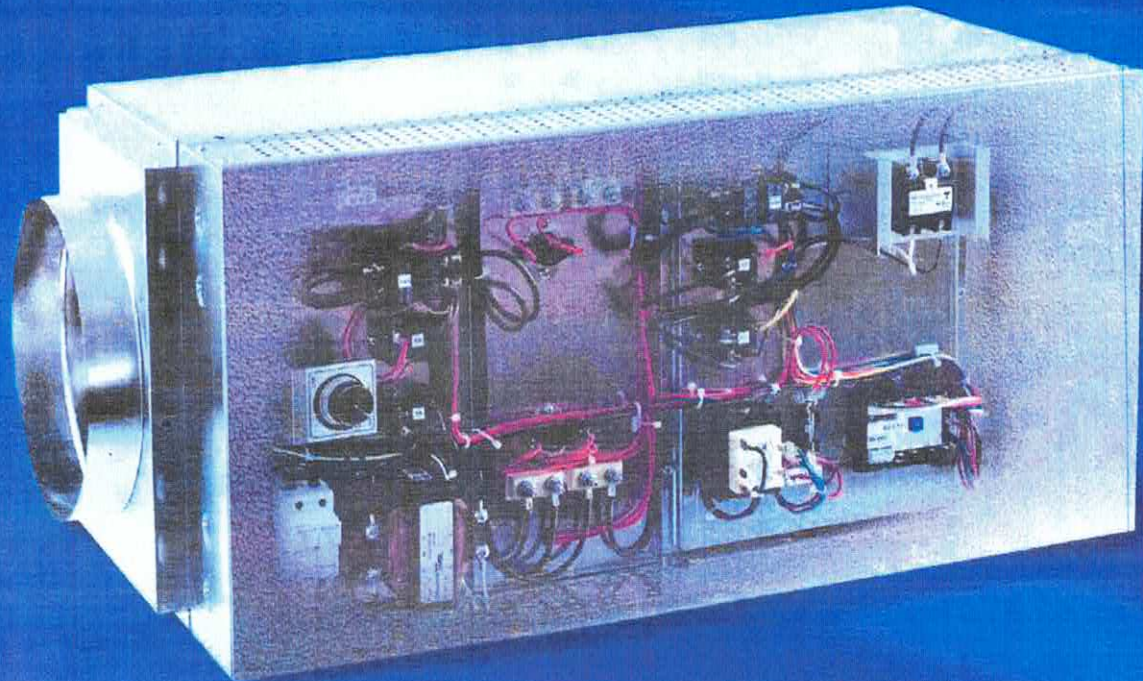
Reviewed by

A handwritten signature in blue ink, appearing to read "RH Davies", is written over a horizontal line.

Robert H. Davies PM GSC

KB Mechanical Ltd.
450 Lorne Street
Kamloops, BC V2C 1W3
Cell: 250-320-2242
Work: 250-214-1971

COMPLETE MINI MAKE UP AIR FER MODEL



- Tempered makeup air from 50 to 600 CFM
- Packaged unit reduces field installation cost
- Compact size
- Meets IRC M1503.4 makeup air requirements for residential range hoods
- Meets ASHRAE 62.1-2016 and 62.2-2016 ventilation requirements



FAN



DAMPER



SPEED CONTROL



MODULATING
TEMP. SENSOR



WASHABLE FILTER



REVERSIBLE
AIRFLOW

MODEL FER

STANDARD FEATURES:

- Built in fan with variable speed controller
- Integrated backdraft damper
- Modulating (SCR) temperature control
- Low and High temperature limit protection
- Listed for zero clearance
- Current sensing relay to start fan
- Inlet and supply air temperature sensors

- Maximum 0.15" wc through cabinet
- Listed for horizontal installation
- Automatic and manual reset high limit
- Aluminum mesh permanent washable filter
- 10-year open coil element warranty
- 2-year parts warranty
- Made in North America

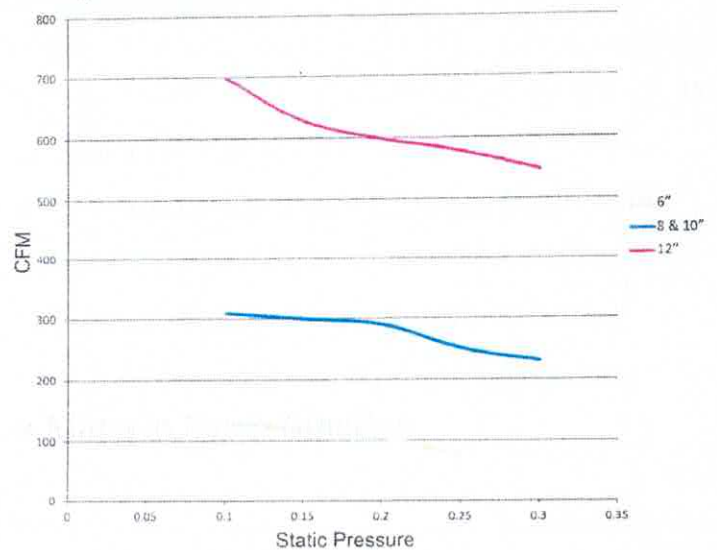
Available sizes:

	100 CFM Fan		300 CFM Fan		600 CFM Fan
Collar Size	6"	6"	8"	10"	12"
Single Phase	●	●	●	●	●
Three Phase	●	●	●	●	●
Max Voltage	240	600	600	600	600
Max kW	3	3	6	10	20
Dimensions (X x Y x Z)	18 1/2" x 8" x 10 1/2"	31 1/2" x 10" x 13 3/4"	36 1/2" x 15" x 15"	36 1/2" x 15" x 15"	43 1/2" x 16" x 21"
Controls Included	Current Sensor	Current Sensor	Current Sensor	Current Sensor	Current Sensor

○ 208 V > 12.5 Amps

Note: Sizes are approximate and may change without notice

Fan performance:



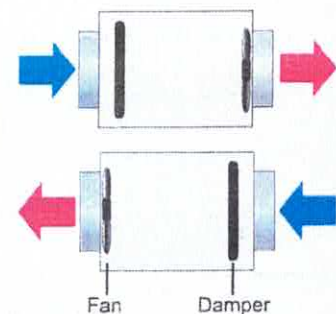
When ordering please specify the collar size, kW and voltage/phase as in the following example:

FER-12-20-600/3

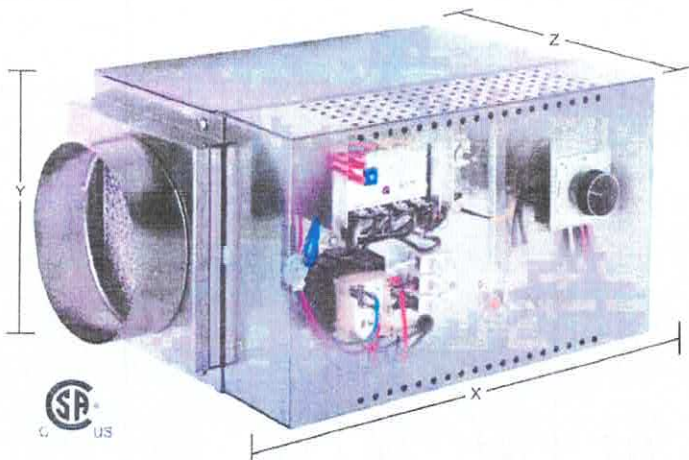
Collar size (inches) ——— | ——— Voltage/Phase
kW

Reversible Airflow

There is no need to modify the fan or any wiring to reverse the airflow, simply rotate the unit 180°. This is possible due to the automatic thermal cutouts located on both the top and bottom of the unit.



NOTE:
Not suitable for vertical airflow.



THERMOLEC



2080, LUCIEN-THIMENS STREET, ST-LAURENT, QUEBEC, CANADA H4R 1L1
 TEL.: 514-336-9130 FAX: 514-336-3270

APPROVAL DRAWINGS

PAGE 1

CUSTOMER NAME : SINCLAIR SUPPLY LTD EDMONTON
 CONSULTING ENG. :
 PROJECT :
 CONTRACTOR :

IMPERIAL SYSTEM
 METRIC SYSTEM

DA APPROVED # LR-30551

COPIES: CSA - NR/TUC

DATE 23/10/13

P.O. NUMBER DRAWINGS

QUOTE # 831412

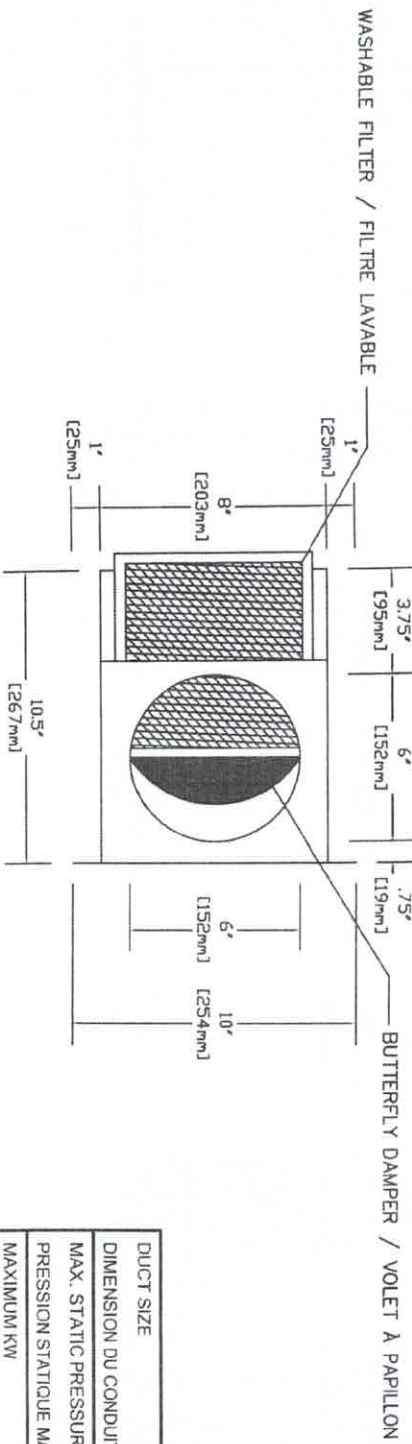
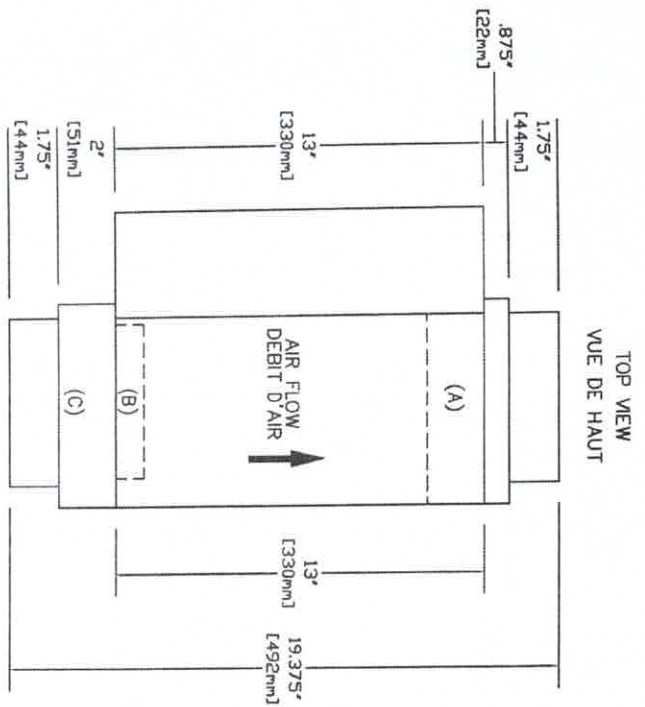
ITEM	TAG	QUANTITY	DIMENSIONS					ELECTRICAL DATA					BUILT-IN CONTROLS	OPTIONS SYMBOLS ARE EXPLAINED BELOW
			W	H	X	D	C	KW	VOLT / PH	AMPS	ST / KW	CONTR VOLTS		
1	F6321	48	SEE ATTACHED MECHANICAL DRAWING					ELECTRICAL DRAWING #						
			FER-6-3-240/1 - 3KW 240V/1					13.1A FLA - 16.4A MCA						
			6" ROUND - SP: 0.2" - 100CFM											

REMARKS :

dinoa@thermolec.com

paul.nielsen@ssl.ca

- LEGEND / LEGENDE
 (A) - FAN / VENTILATEUR
 (B) - BUTTERFLY DAMPER / VOILET A PAPILLON
 (C) - WASHABLE FILTER / FILTRE LAVABLE



THERMO-X-AIR UNIT - FER MODEL

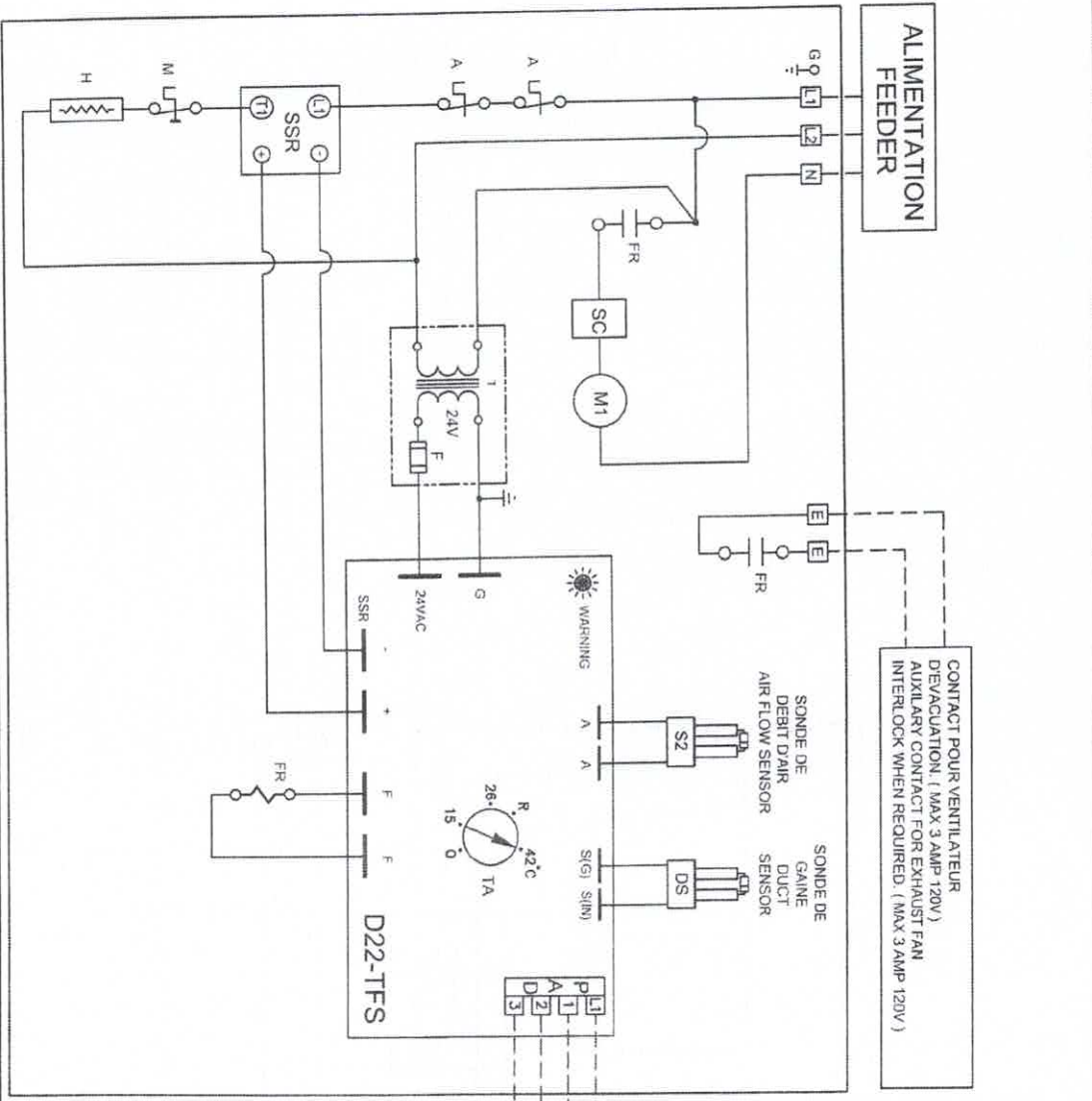
UNITE THERMO-X-AIR - MODELE FER

DRAWING/DESSIN: F-6S
 CREATION DATE: MAR.30, 2020
 DATE DE CREATION:

PER AU
 VERSION 1

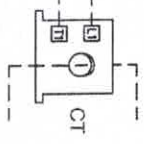
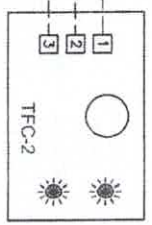
DUCT SIZE	Ø 6" / 152mm
MAX. STATIC PRESSURE	0.2"
PRESSION STATIQUE MAX.	
MAXIMUM KW	3
KV MAXIMUM	
MAX. VOLTAGE	240
TENSION MAXIMUM	
MAX. AIR FLOW	90 CFM / 42 L/S
DEBIT D'AIR MAXIMUM	





ALIMENTATION FEEDER

CONTACT POUR VENTILATEUR
 DEVAQUATION: (MAX 3 AMP 120V)
 AUXILIARY CONTACT FOR EXHAUST FAN
 INTERLOCK WHEN REQUIRED. (MAX 3 AMP 120V)



* OPTION DISPONIBLE SUR DEMANDE.
 * OPTION AVAILABLE UPON REQUEST.

Controlleur à Bouton poussoir
 Push button Room controller

LEGENDE

- A SONDE THERMIQUE A REENCLENCHEMENT AUTOMATIQUE
- M SONDE THERMIQUE A REENCLENCHEMENT MANUEL
- D22-TFS CONTROLLEUR ELECTRONIQUE
- H ELEMENT CHAUFFANT
- DS SONDE DE GAIRIE
- S2 SONDE DE DEBIT D'AIR
- T TRANSFORMATEUR
- SSR RELAIS ELECTRONIQUE
- FR RELAIS VENTILATEUR A VENTILATEUR DEVAQUATION
- TA REGULATEUR DE TEMPERATURE
- M1 SELECTEUR DE VITESSE
- TFC-2 CONTROLLEUR A BOUTON POUSSOIR
- CT TRANSFORMATEUR DE COURANT

LEGENDE

- A AUTOMATIC RESET CUT-OUT
- M MANUAL RESET CUT-OUT
- D22-TFS ELECTRONIC CONTROLLER
- H HEATING ELEMENT
- DS DUCT SENSOR
- S2 AIR FLOW SENSOR
- T TRANSFORMER
- SSR SOLID STATE RELAYS
- FR FAN & EXHAUST FAN RELAY
- TA TEMPERATURE SET POINT ADJUSTER
- M1 SPEED CONTROLLER
- TFC-2 FAN MOTOR 120V
- CT CURRENT TRANSFORMER

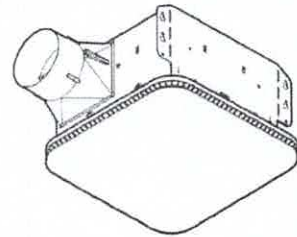
TITILENTRE
 MINI FRESH AIR MAKE-UP 240V



LTEE LTD

DRAWING NO.	FRESH MAKE-UP 240V (D22-TFS) CAN
DATE	PER
11/01/2023	RM

MODEL AE80K FLEX™ SERIES FAN



DESCRIPTION

BLOWER:

- Plug-in, permanently lubricated motor - engineered for continuous operation
- Dynamically balanced centrifugal blower wheel for quiet, efficient performance
- Low RPM for quiet operation

HOUSING:

- Rugged, 26 gauge, galvanized steel construction
- Polymeric, 4" duct connector with tapered sleeve and no metallic clatter
- 5-3/4" height allows for 2" x 6" ceiling installations
- Sturdy, easy, four-point mounting directly to joist
- Can be mounted in ceilings up to 7/12 pitch
- Can be installed in a wall if mounted 8-ft. or more above the floor

GRILLE:

- Polymeric construction
- Innovative design - the result of extensive research with designers and consumers

CONTROLS (Purchase separately):

- Refer to Broan's catalog for a complete line of accessories to effectively adapt these fans to your construction requirements.

U.L. Listed for use over bathtubs and showers when connected to a GFCI protected branch circuit (ceiling mount only).

U.L. Listed for use in insulated ceilings (TYPE I.C.)

3-Year Warranty

TYPICAL SPECIFICATION

Fan shall be Broan Model AE80K.

Fan shall have corrosion resistant galvanized steel housing with four-point mounting capability. It shall be ducted to a roof or wall cap using 4" round ductwork.

Blower assembly shall be removable, have a centrifugal-type blower wheel and a permanently lubricated motor designed for continuous operation.

Non-metallic damper/duct connector shall be included.

Air delivery shall be no less than the airflow values and no greater than the sound level values listed in the HVI Performance Specifications provided in this specification (see following chart). All air and sound ratings shall be certified by HVI.

Ceiling Ventilator shall be U.L. Listed for use in insulated ceilings (Type I.C.) and for use over bathtubs and showers when connected to a GFCI protected branch circuit.



Broan LLC Hartford, Wisconsin www.Broan-Nutone.com 888-558-1711
Venmar Ventilation ULC Drummondville (Quebec), Canada www.Broan.ca 877-896-1119

REFERENCE	QTY.	REMARKS	Project
			Location
			Architect
			Engineer
			Contractor
			Submitted by
			Date

PERFORMANCE RATINGS

FLEX™ SERIES FAN

HVI PERFORMANCE

0.1 Ps - Static Pressure (in H ₂ O)				0.25 Ps
Airflow (CFM)	Sound (Sones)	Power (Watts)	Efficacy (CFM / W)	Airflow (CFM)
80	0.7	24.5	3.3	60

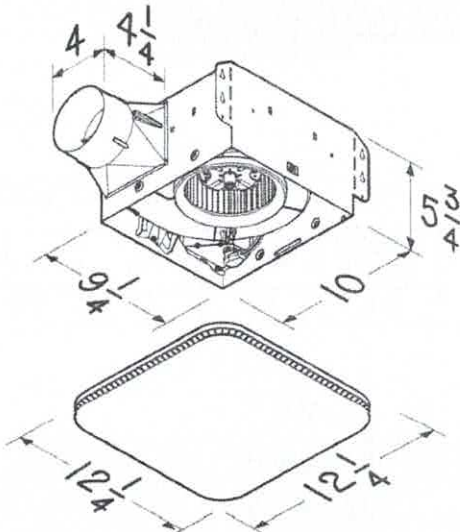
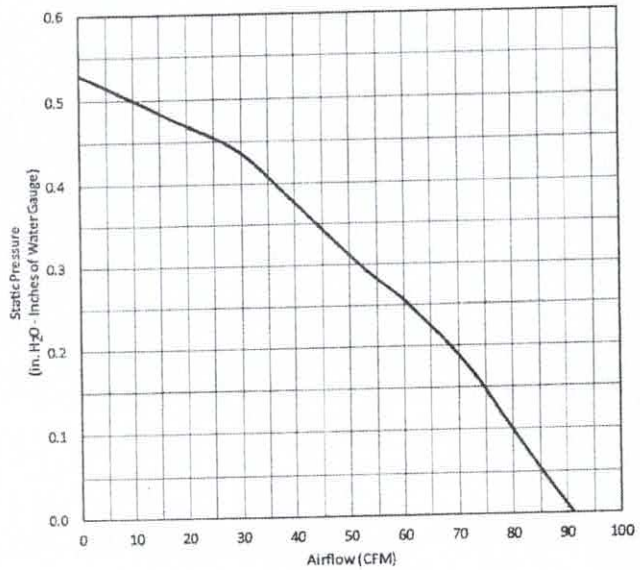


HVI-2100 CERTIFIED RATINGS comply with new testing technologies and procedures prescribed by the Home Ventilating Institute, for off-the-shelf products, as they are available to consumers. Product performance is rated at 0.1 in. static pressure, based on tests conducted in a state-of-the-art test laboratory. Sones are a measure of humanly-perceived loudness, based on laboratory measurements.

ELECTRICAL & WEIGHT

Volts	Hz	Amps	Shipping Weight
120	60	0.3	10.0

AIR FLOW PERFORMANCE

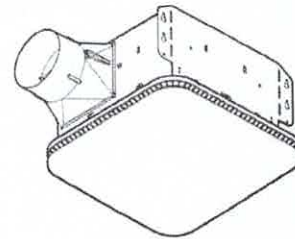


Dimensions are in inch.



Broan LLC Hartford, Wisconsin www.Broan-Nutone.com 888-558-1711
 Venmar Ventilation ULC Drummondville (Québec), Canada www.Broan.ca 877-896-1119

VENTILATEUR DE SÉRIE FLEX^{MC} MODÈLE AE80K



DESCRIPTION

VENTILATEUR :

- Moteur enfichable, lubrifié à vie, conçu pour un fonctionnement continu
- Roue de ventilateur centrifuge équilibrée dynamiquement assurant une performance silencieuse et optimale
- Bas régime de rotation permettant un fonctionnement silencieux

BOÎTIER :

- Robuste, fabriqué en acier galvanisé de calibre 26
- Raccord de conduit en polymère de 4 po avec manchon conique, ne produisant aucun cliquetis métallique
- Hauteur de 5¾ po permettant l'installation dans des structures de plafond en 2 po x 6 po
- Montage facile et solide en quatre points directement sur les solives
- Peut être installé dans un plafond de pente jusqu'à 7/12
- Peut être installé dans un mur à condition d'être à au moins 8 pieds au-dessus du sol

GRILLE :

- Construction en polymère
- Conception novatrice, fruit d'une recherche exhaustive auprès de designers et de consommateurs

COMMANDES (vendues séparément) :

- Se référer au catalogue Broan pour la collection complète d'accessoires afin d'adapter ces ventilateurs à vos exigences de construction

Homologué U.L. pour utilisation au-dessus de la baignoire et de la douche lorsqu'il est raccordé à un circuit protégé par un disjoncteur de fuite à la terre (DDFT) (installation au plafond seulement)

Homologué U.L. pour utilisation dans un plafond isolé (TYPE I.C.)

Garantie de 3 ans

SPÉCIFICATIONS TYPES

Le ventilateur/luminaire doit être le modèle Broan AE80K.

Le ventilateur/luminaire doit avoir un boîtier en acier galvanisé résistant à la corrosion et pouvoir être monté en quatre points. Il doit être raccordé à un capuchon de toit ou de mur au moyen d'un conduit rond de 4 po.

Le bloc ventilateur doit être amovible et avoir une roue de ventilateur centrifuge et un moteur lubrifié à vie, conçu pour un fonctionnement continu.

Un raccord de conduit avec clapet non métallique doit être inclus.

Le débit de l'air ne doit pas être inférieur, et le niveau sonore, supérieur aux valeurs indiquées dans le tableau de performance HVI à la page suivante. Toutes les valeurs de débit de l'air et de niveau sonore doivent être certifiées par le HVI.

Le ventilateur de plafond doit être homologué par U.L. pour une utilisation dans un plafond isolé (type I.C.) et pour utilisation au-dessus de la baignoire et de la douche lorsqu'il est raccordé à un circuit protégé par un disjoncteur de fuite à la terre (DDFT).



Broan LLC Hartford, Wisconsin www.Broan-Nutone.com 888-558-1711
Venmar Ventilation ULC Drummondville (Québec), Canada www.Broan.ca 877-896-1119

RÉFÉRENCE	QTÉ	REMARQUES	Projet
			Lieu
			Architecte
			Ingénieur
			Entrepreneur
			Soumis par Date

ÉVALUATIONS DE RENDEMENT VENTILATEURS DE SÉRIE FLEX^{MC}

PERFORMANCE HVI

0,1 Ps - Pression statique (po H ₂ O)				0,25 Ps
Débit de l'air (pi ³ /min)	Niveau sonore (sone)	Puissance (watts)	Efficacité (pi ³ /min / W)	Débit de l'air (pi ³ /min)
80	0,7	24,5	3,3	60

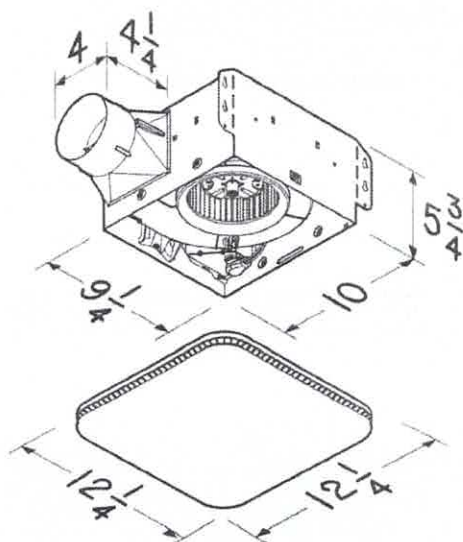
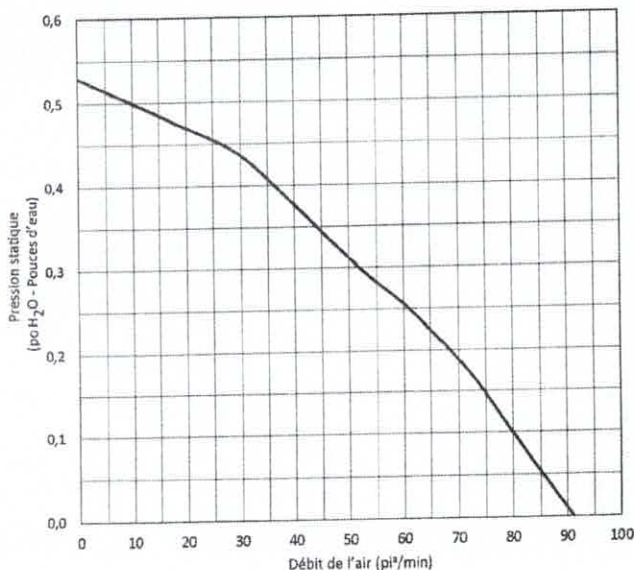


RÉSULTATS HOMOLOGUÉS HVI-2100 conformes aux nouvelles technologies de test et aux procédures prescrites par le Home Ventilating Institute pour les produits offerts sur le marché, tels qu'ils sont présentés aux consommateurs. La performance du produit est calibrée à 0,1 po de pression statique, basée sur les tests dirigés par un laboratoire de pointe. Un sone est une unité de mesure de bruit perçu par l'oreille humaine, basée sur des mesures en laboratoire.

ÉLECTRICITÉ ET POIDS

Volts	Hz	Ampères	Poids à l'expédition
120	60	0,3	10,0

RENDEMENT DU DÉBIT DE L'AIR



Les dimensions sont en pouces.



Broan LLC Hartford, Wisconsin www.Broan-Nutone.com 888-558-1711
Venmar Ventilation ULC Drummondville (Québec), Canada www.Broan.ca 877-896-1119



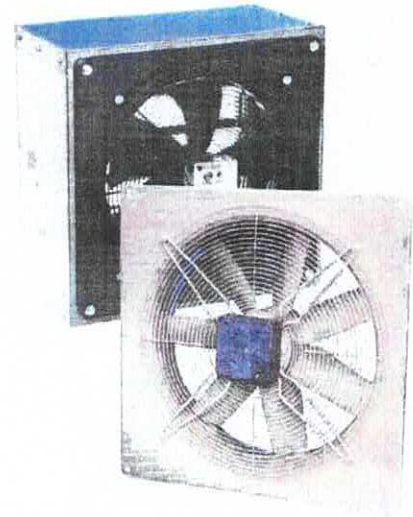
fantech[®]
a systemair company

FADE Series Axial Fans

Fantech's FADE series axial fans are designed to affectively and quietly handle major ventilation challenges in locations such as large warehouses without taking up a lot of valuable space.

All FADE Series fans combine aerodynamically designed propeller blades and rotor motor into one expertly integrated unit. Fans feature heavy gauge galvanized steel, baked powdercoat finish. Propeller options are formed steel blades featuring an 'S' blade design or die-cast aluminum with an 'A' blade design.

With fan sizes ranging from 8" to 25" (203 to 635 mm), Fantech's FADE Series fans move a lot of air, yet are statically and dynamically balanced for vibration-free operation. The external rotor motorized propeller provides excellent heat dissipation, even at low RPM. Rated for continuous duty.



Simplified Ordering

Now Fantech offers two ways to order the FADE Series. Use the "Fan Only" model numbers to order fan alone or use the new "Fully Assembled" model numbers and you'll receive the Fan fully assembled with wall collar and backdraft damper.

Easy Set-Up

In most installations, no extras are required. Note: Assembled units will require bracing (by others) if installed in a metal building.

External Rotor Motor Key to Power and Performance

FADE Series motors are a totally enclosed Class B direct driven external rotor type and are 100% speed controllable. To change the speed, simply decrease the voltage with either a solid state or transformer-type control. All FADE fans include motor-side guards as standard.

The external rotor motor at the heart of FADE fans has automatic, reset thermal overload protection, and is capable of operating in ambient air or airstream temperatures of up to 100° F (38° C).



Fantech is certified for the FADE Series axial fans to the ISO 9001:2008 standard. The comprehensive standard includes and addresses: 1. Product development 2. Production processes 3. Quality control 4. Customer service 5. ISO 9001:2008 certification. For more information, visit www.fantech.com or call 800-451-7272.

Features and Benefits

- Up to 7858 CFM
- Formed galvanized steel wall panel with venturi features baked powdercoat finish
- 100% speed controllable for highly efficient and economical airflow
- Permanently lubricated sealed ball bearings
- Suitable for airstream temperature of up to 100° F (38° C)
- Integral blades and external rotor for precision balancing
- Shallow profile with no protruding motor
- Terminal box with prewired electrical strip
- 3 year warranty

Accessories



WC 15
Speed Control



RPE
Speed Control



SCD
Speed Control



FTD 7
7 Day Timer



FH 20
Dehumidistat



FAT 10
Thermostat

FADE Series

Specification Data

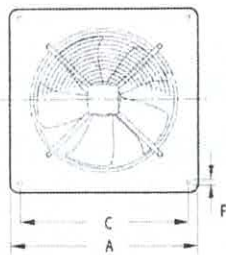
Model	Rated power	Voltage	Max. amps	RPM	0.0" P	0.1" P	0.25" P	0.375" P	0.5" P	Sones	Shipping weight	
	W	V / -	A	min	cfm						lbs	kg
FADE 8-4	45	120/1	0.41 ¹	1550	304	246	74	-	-	4.1	15	7
FADE 10-4	68	120/1	0.62 ¹	1500	624	558	377	132	-	7.9	15	7
FADE 12-4 / FADE 12-4 WHD	130	120/1	1.19 ¹	1400	1200	1069	757	-	-	9.4	20	9
FADE 14-4 / FADE 14-4 WHD	245	120/1	2.24 ¹	1200	1839	1654	1235	-	-	9.6	20	9
FADE 16-4 / FADE 16-4 WHD	456	120/1	2.70 ¹	1400	3054	2682	2570	2198	1699	12.0	25	11
FADE 18-4 / FADE 18-4 WHD	698	120/1	6.39 ¹	1550	4115	3895	3549	3239	2908	14.3	30	14
FADE 20-4 / FADE 20-4 WHD	1450	120/1	8.39 ¹	1450	4949	4662	4274	3917	3445	16.4	45	20
FADE 20-6 / FADE 20-6 WHD	435	120/1	3.98 ¹	1100	3693	3368	2775	1429	-	10.7	45	20
FADE 22-6 / FADE 22-6 WHD	756	120/1	6.92 ¹	1000	5629	5248	4432	-	-	12.0	55	25
FADE 25-6 / FADE 25-6 WHD	1134	120/1	10.38 ¹	1000	7858	7355	6557	-	-	14.8	65	29

Performance based on fan installation type A - Free inlet, free outlet. Speed (RPM) shown is minimum. Performance is based on actual speed of feet. Performance ratings include the effects of air weight. The sound ratings shown are maximum values at fan speeds of 5/4 cfm in normal operating mode, calculated per AMCA Standard 001. Values shown are for installation type A. Total inlet temperature for same type.

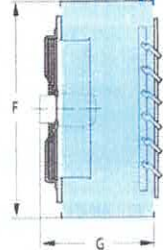
WHD model uses fully adjustable and modular wall outlet, inlet and outlet clamps. For unregulated speed control rating of 5A. For unregulated speed control rating of 15A. Recommended speed control rating of 15A.

Dimensions

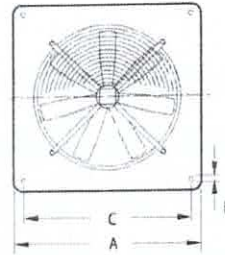
FADE S Blade Type



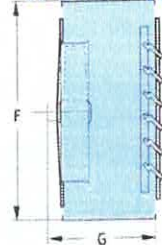
FADE WHD S Blade Type



FADE A Blade Type



FADE WHD A Blade Type



Model	A	B	C	D1	D2	F	F	G	Blade Type
FADE 8-4	12 7/16 (313)	2 (51)	10 1/2 (260)	7 1/2 (197)	8 1/16 (204)	1/4 (6)	-	-	S
FADE 10-4	14 7/16 (370)	2 (51)	12 1/2 (321)	10 (254)	10 1/16 (262)	1/4 (6)	-	-	S
FADE 12-4 / FADE 12-4 WHD	17 (432)	3 (76)	15 (381)	12 (305)	12 1/8 (327)	3/8 (9)	21 (533)	15 1/2 (394)	S
FADE 14-4 / FADE 14-4 WHD	19 7/16 (487)	3 1/2 (79)	17 1/2 (435)	14 (356)	15 1/8 (391)	1/2 (8)	21 (533)	15 1/2 (394)	S
FADE 16-4 / FADE 16-4 WHD	22 1/2 (578)	3 1/2 (89)	21 (533)	16 1/2 (419)	17 1/4 (438)	1/2 (10)	24 (610)	16 1/2 (419)	S
FADE 18-4 / FADE 18-4 WHD	22 7/16 (574)	4 1/4 (108)	21 (533)	18 (457)	18 1/2 (470)	1/2 (10)	24 (610)	16 1/2 (419)	S
FADE 20-4 / FADE 20-4 WHD	25 1/16 (640)	4 1/2 (114)	24 1/2 (616)	20 (508)	20 1/2 (520)	1/2 (10)	25 (680)	17 1/2 (445)	A
FADE 20-6 / FADE 20-6 WHD	25 1/16 (640)	4 1/2 (114)	24 1/2 (616)	20 (508)	20 1/2 (520)	1/2 (10)	25 (680)	17 1/2 (445)	A
FADE 22-6 / FADE 22-6 WHD	26 1/2 (727)	5 1/4 (133)	26 1/2 (675)	22 (559)	22 1/2 (572)	1/2 (10)	32 (813)	18 1/2 (476)	A
FADE 25-6 / FADE 25-6 WHD	31 1/2 (806)	6 (152)	29 1/2 (749)	25 (635)	25 1/2 (648)	1/2 (10)	32 (813)	18 1/2 (476)	A

Dimensions in inches from flange to extractor (D1) and/or fan case size.

Systemair Inc. • Niagara Falls, ON • 416-556-0777

Customer Support:

Canada 800.565.3548 • CANADAsupport@fantech.net • www.fantech.net

Fantech reserves the right to modify at any time and without notice, any or all of its products, features, prices, components and specifications to maintain their technological leadership position.



fantech[®]
a systemair company

FAT10 Attic thermostat

80-130F, surface mount, 13A

Item #: 411233

Variant: 120V 1~ 60Hz



Attic fans help homeowners save on power and repair bills. Moving heated air out of the attic during the cooling season reduces the load on a home's air-conditioning system. Circulating air trapped in the attic during humid conditions speeds drying, reducing mold growth and early decay of the roof's structural members.

Installing a **FAT10** Attic Thermostat on the attic fan is a simple job that helps you make efficient use of electricity. Adjustable range is between 80° and 130°F. Color: Beige.

