

MAIN BATH

American Standard

Style That Works Better

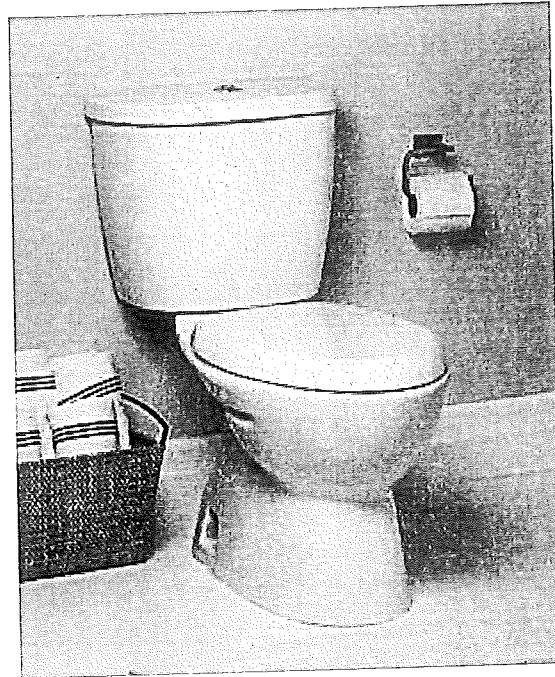
**FloWise™ DUAL FLUSH
ELONGATED TOILET**

VITREOUS CHINA

FloWise™ DUAL FLUSH ELONGATED TOILET

2476 216

- Vitreous china
- Low-consumption Dual Flush
Full flush 6.0 Lpf/1.3 gpf,
Partial flush 3.0 Lpf/0.66 gpf.
- Elongated wash down bowl
- Internal trapway fully-glazed,
2-1/4" (57mm) ballpass
- Concealed trapway bowl
- Chrome-plated top mounted
push button actuator
- Easy to clean sanitary dam on bowl
- Includes Elongated Slow Close Seat
- 100% factory flush tested
- 2 bolt caps



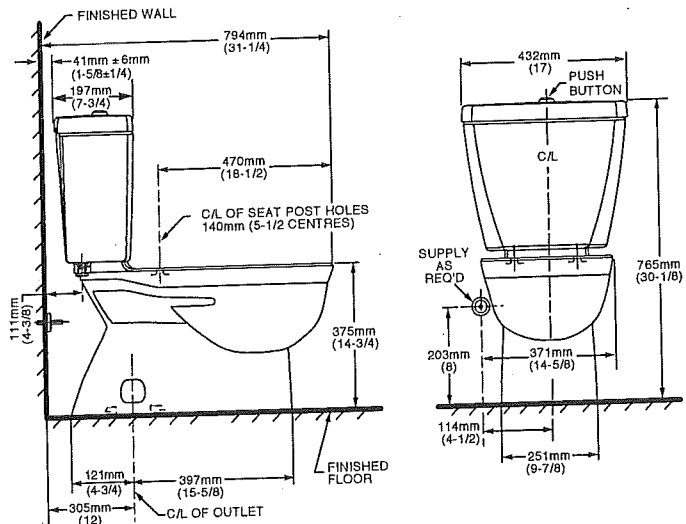
Separate Component Parts:

- 3067 316** Elongated Bowl with Slow Close Seat
- 4035 216** Unlined Tank

2476 516 Same as above with Lined tank

- 3067 316** Elongated Bowl
- 4035 516** Lined Tank

Nominal Dimensions:
794 x 432 x 765mm
(31-1/4" x 17" x 30-1/8")



**Compliance Certifications -
Meets or Exceeds the Following Specifications:**

- ASME A112.19.2M (and 19.6M)
- CAN/CSA B45 series

To Be Specified

- Colour: 020 White
- Supply with stop:

NOTES:
THIS TOILET IS DESIGNED TO ROUGH-IN AT A MINIMUM DIMENSION OF 305MM (12") FROM FINISHED WALL TO C/L OF OUTLET.
SUPPLY NOT INCLUDED WITH FIXTURE AND MUST BE ORDERED SEPARATELY.
* DIMENSION SHOWN FOR LOCATION OF SUPPLY IS SUGGESTED.
FOR ADDITIONAL INFORMATION REFER TO INSTALLATION INSTRUCTIONS SUPPLIED.
IMPORTANT: Dimensions of fixtures are nominal and may vary within the range of tolerance established by ANSI Standard A112.19.2
These measurements are subject to change or cancellation. No responsibility is assumed for use of superseded or voided pages.

UPGRADED VALUE ADDED FEATURES AT NO EXTRA CHARGE



RESIDENTIAL PLASTIC TOILET SEAT

MODEL #

COLOR #

1800EC

DESCRIPTION:

Closed front with cover, elongated, injection molded solid plastic toilet seat. Features four molded-in bumpers, color-matched Easy•Clean & Change® hinges with non-corrosive, top-tightening bolts and wing nuts. This seat complies with IAPMO/ANSI Z124.5-2013 Plastic Toilet Seats as a class Commercial Heavy Duty.

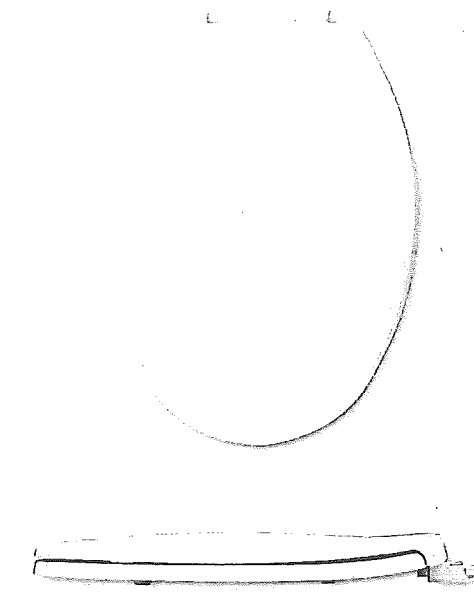
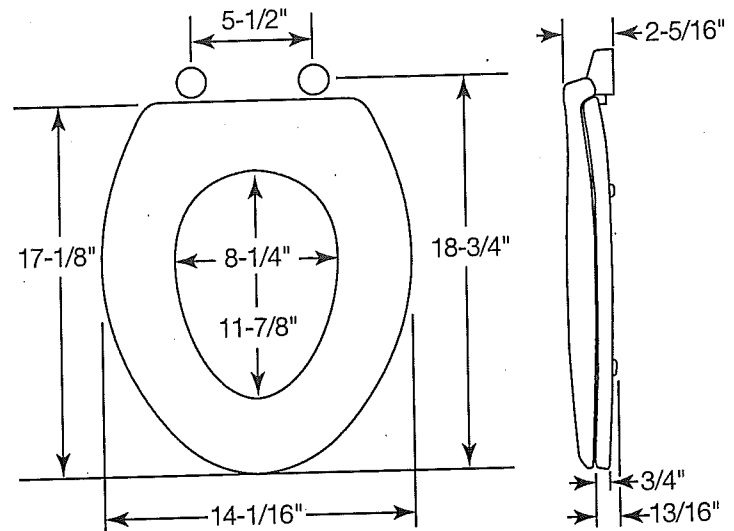
SPECIFICATIONS:

Size:	Elongated
Material:	Plastic
Style:	Closed Front with Cover
Bumpers:	Four
Hinges:	Plastic Easy•Clean & Change®
Fastening System:	Non-Corrosive Bolts and Wing Nuts

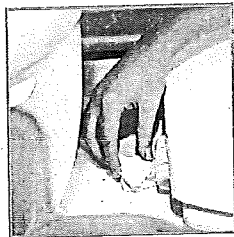
FEATURES:

- Easy•Clean & Change®
- Non-Corrosive Bolts and Wing Nuts

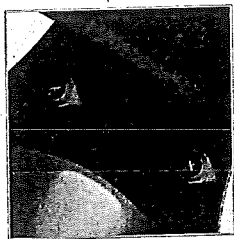
DIMENSIONS:



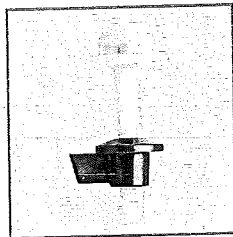
PLASTIC EASY•CLEAN & CHANGE® HINGES



TWIST HINGES TO UNLOCK



EASY REMOVAL OF SEAT FOR THOROUGH CLEANING



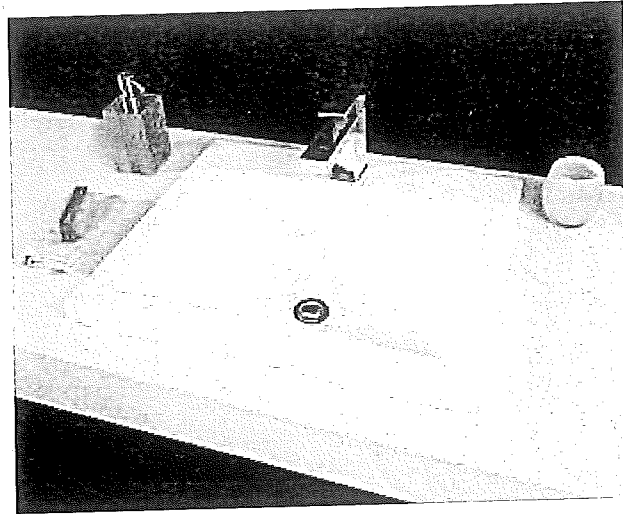
NON-CORROSIVE BOLTS AND WING NUTS



 BARRIER FREE

STUDIO® DROP IN SINK

- Vitreous china
- Rectangular self-rimming drop in sink
- Cutout template supplied
- Front overflow
- Faucet ledge
(Faucet shown not included)



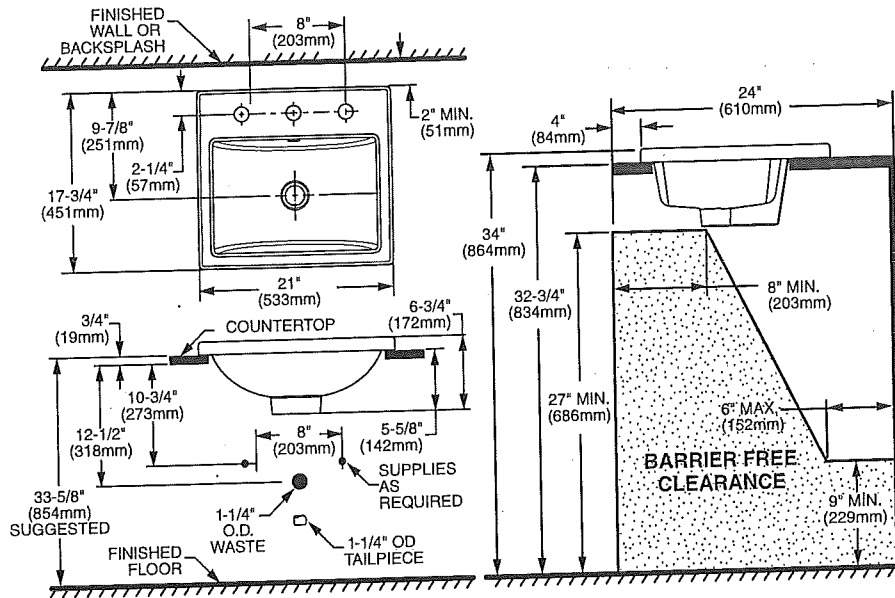
- 0643 008
Faucet holes on 8" (203mm) centres
- 0643 001
Centre Hole Only

Nominal Dimensions:

21" x 17-3/4"
(533 x 451mm)

Bowl sizes:

18" (457mm) wide,
12" (305mm) front to back,
4-1/2" (114mm) deep



Compliance Certifications -
Meets or Exceeds the Following Specifications:

- ASME A112.19.2M for Vitreous China Fixtures
- CAN/CSA B45 series

To Be Specified

- Colour: White
- Faucet Finish:
- Supplies & Stops:
- Trap 1-1/4" (32 mm):

NOTES:

- * DIMENSIONS SHOWN FOR LOCATION OF SUPPLIES AND "P" TRAP ARE SUGGESTED. FAUCETS NOT INCLUDED WITH FIXTURE AND MUST BE ORDERED SEPARATELY. FOR COUNTERTOP CUTOUT AND INSTALLATION INSTRUCTIONS USE TEMPLATE SUPPLIED WITH SINK.

SEALING COMPOUND SUPPLIED BY OTHERS.

IMPORTANT: Dimensions of fixtures are nominal and may vary within the range of tolerances established by ANSI Standard A112.19.2. These measurements are subject to change or cancellation. No responsibility is assumed for use of superseded or voided leaflet.



- Countertop 864mm (34") from finished floor. Sink installed 102mm (4") from front edge of countertop. Countertop thickness to be 25mm (1") maximum. MEETS THE AMERICAN DISABILITIES ACT GUIDELINES AND ANSI A117.1 ACCESSIBLE AND USEABLE BUILDINGS AND FACILITIES - CHECK LOCAL CODES.

* See faucet section for additional models available



LAVATORY FAUCETS

- Wynne™ Collection
- Single Handle Deck Mount
- 1 or 3 Hole Sink Applications

STANDARD SPECIFICATIONS:

- Single handle lavatory faucet.
- Ceramic cartridge with high temperature rotational limit stop.
- Cast centerset with 50/50 pop-up.
- 1 or 3 hole sink applications.
*Order RP47973 6" optional escutcheon plate for 3-hole sinks installation – Not-included.
- Models with suffix "LPU" are less pop-up.
- 4.25" (108 mm) long reach on spout.
- Maximum 2" (51 mm) deck thickness.
- Handle: 3.19" (81 mm) lever handle – ADA compliant-colour indexed.
- Maximum flow rate 1.2 gpm @ 60 psi (4.5 L/min @ 414 kPa)

WARRANTY

- Lifetime Faucet and Finish Limited Warranty to the original consumer purchaser to be free from defects in material and workmanship.
- 5 Year Limited Warranty for usage in all industrial, commercial and business applications.

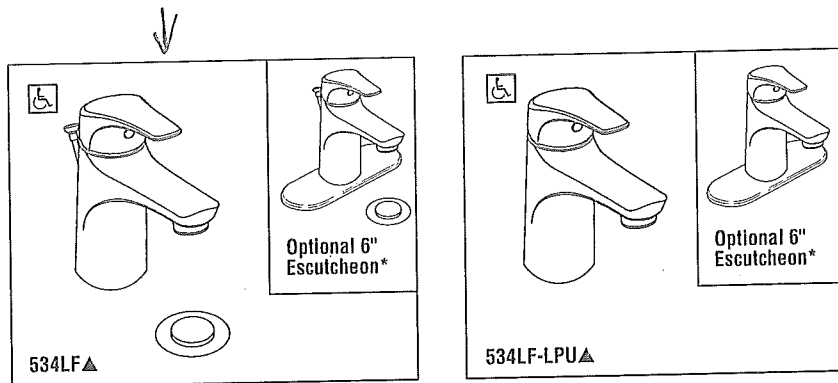


COMPLIES WITH:

- CSA certified
- ASME A112.18.1 / CSA B125.1
- ASME A112.18.2 / CSA B125.2 – 534LF▲ only
- Indicates ADA compliance to ICC/ANSI A117.1
- EPA WaterSense – 534LF▲ & 534LF-LPU▲ only
- Verified compliant with 0.25% weighted average Pb content regulations.

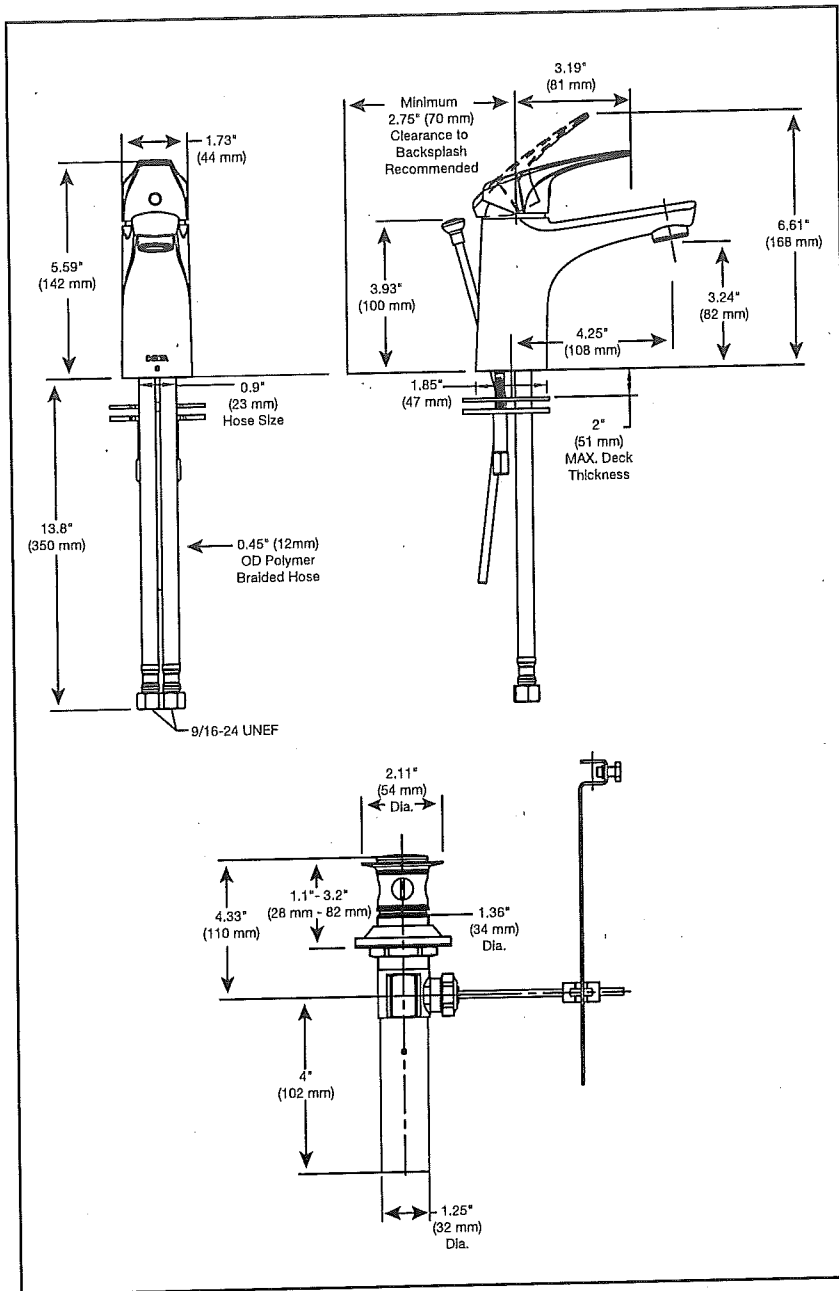


55 E. 111th Street, Indianapolis, Indiana 46280
350 South Edgeware Road, St. Thomas, ON N5P 4L1
© 2017 Masco Corporation of Indiana



Submitted Model No.: _____

Specific Features: _____



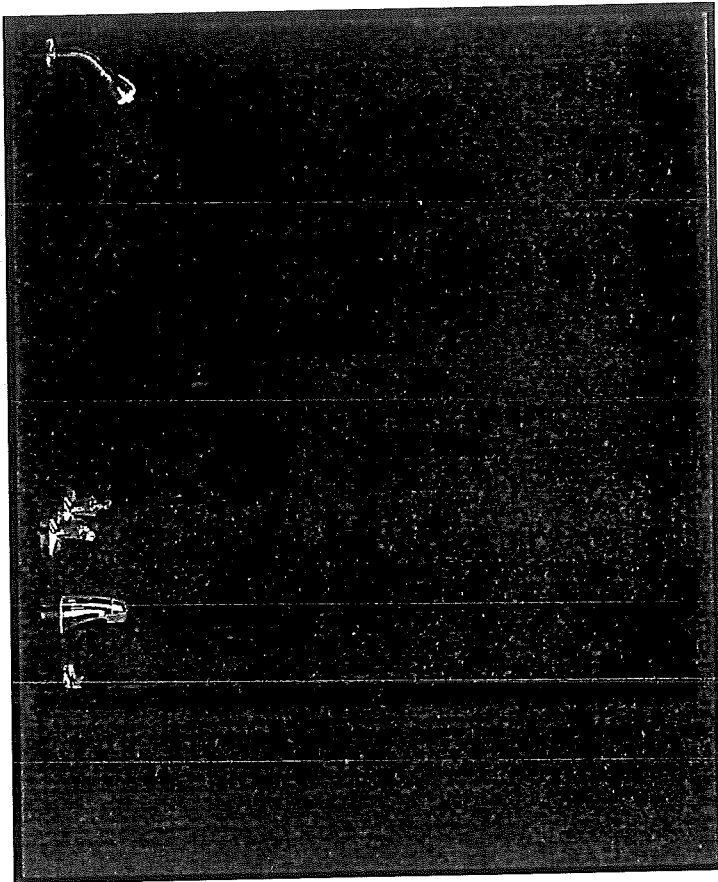
▲ Designate proper finish suffix

Delta reserves the right (1) to make changes in specifications and materials, and (2) to change or discontinue models, both without notice or obligation. Dimensions are for reference only. See current full-line price book or www.specselect.com for finish options and product availability.

BATH COVE™ BATH / SHOWERS

Model PA32/33

GELCOAT



Model PA33

Model PA32
(Right-hand Plumbing)

Model PA33
(Left-hand Plumbing)

Length: 60" (1524 mm)
Width: 32 3/8" (822 mm)
Height: 73 3/4" (1873 mm)

Shipping Weight: 135 lbs. (61.2 Kg)
Water to Overflow: 30 gallons (139 Litres)

Materials: Gelcoat finish reinforced
with fibreglass.

This 5' bath/shower has a low apron for
easy access.

Standard Features:

- Easy to clean high gloss surface
- Chip and mar resistant
- Moulded-in floor pattern
- Lumbar support backrest
- Convenient toiletry shelves
- Clear acrylic grip rail
- Extended apron for above floor rough-in

Colours:

- Standard: White, Almond (Bone) or Biscuit
- Optional: Kohler Colours

Other Configurations:

- 2-piece knockdown (KD)

Note: Whirlpool option not available.

All products manufactured by Hytec are covered by
a comprehensive five-year limited warranty from the
date of sale to the original owner. See the Hytec
Bathing Fixtures List Price Book for further details.

Hytec Plumbing Products
(Division of Kohler Canada Co.)
4150 Spallumcheen Dr, Armstrong BC V0E 1B6
Ph. (800) 871-8311 (250) 546-3196 Fax (250) 546-3170

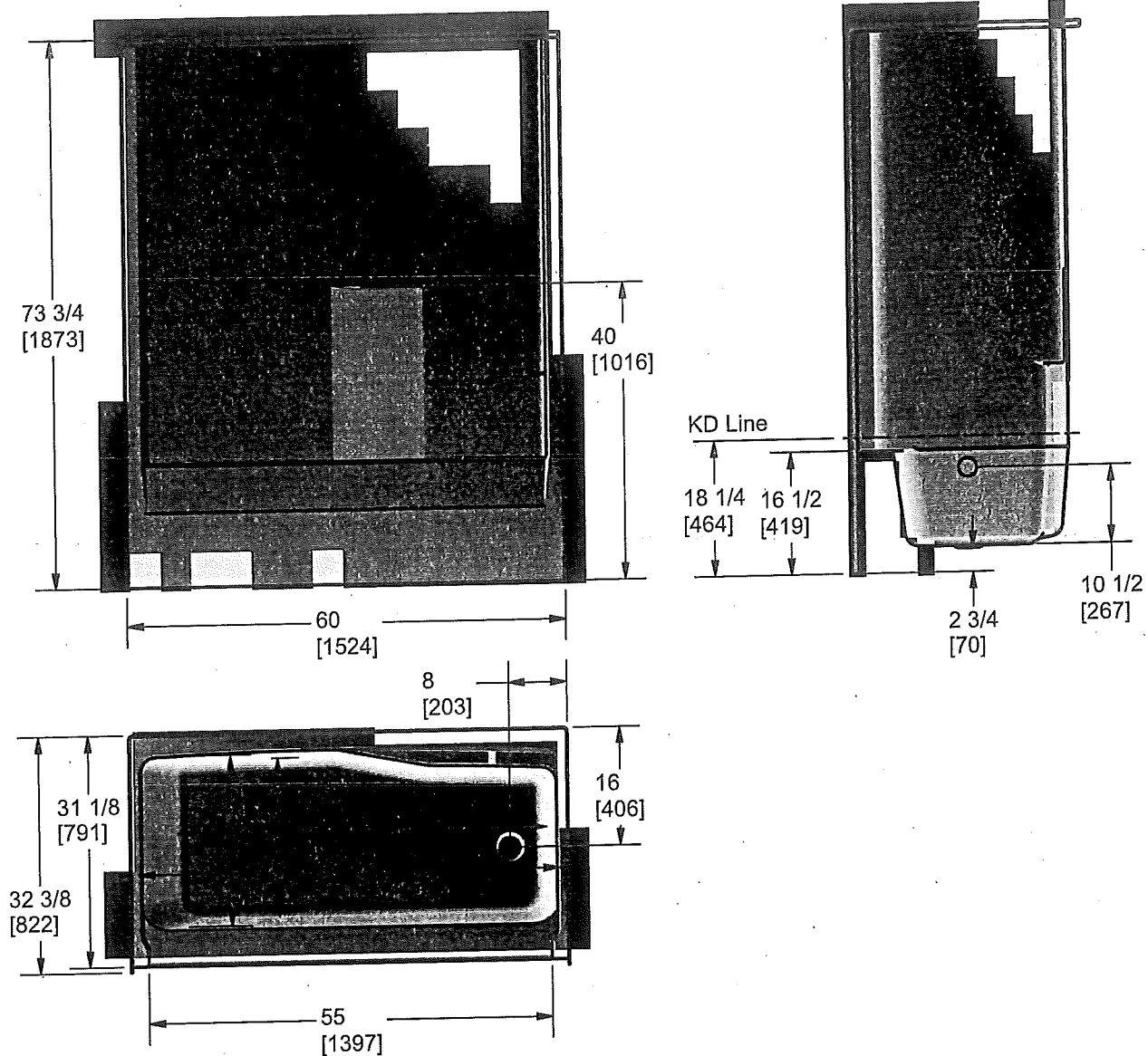
HYTEC
A KOHLER COMPANY

BATHCOVE™ BATH/SHOWERS

Hytec.ca

Model PA32/33

GELCOAT



Measurement tolerances $\pm 1/4"$ (6.3 mm)

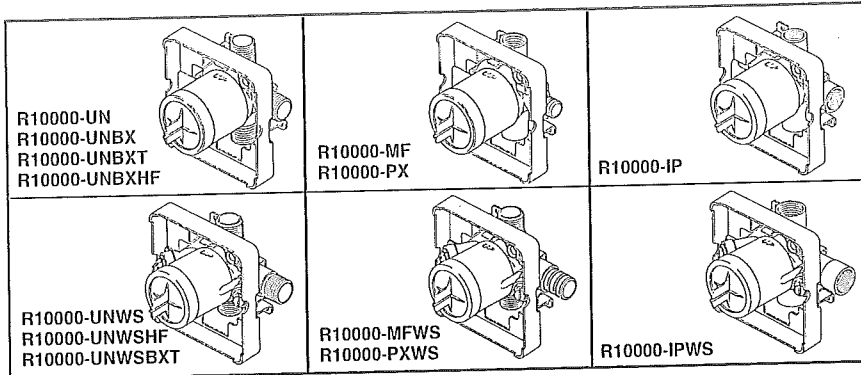
All bathing fixtures comply with the applicable Canadian Standards.

For installation procedures, please refer to instructions included with each unit.

This sheet approximately describes products and equipment manufactured or supplied by Hytec Plumbing Products. Because of ongoing efforts to improve both design and quality, products and equipment actually furnished may differ without prior notice.

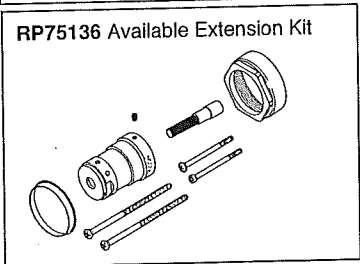
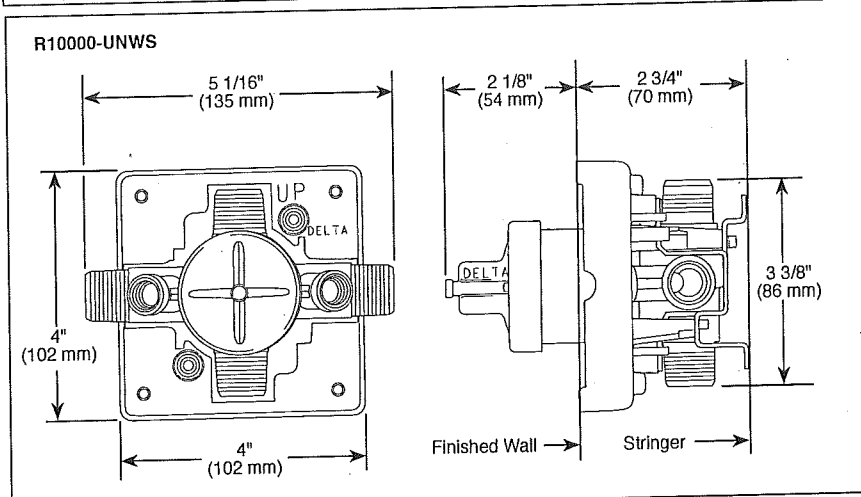
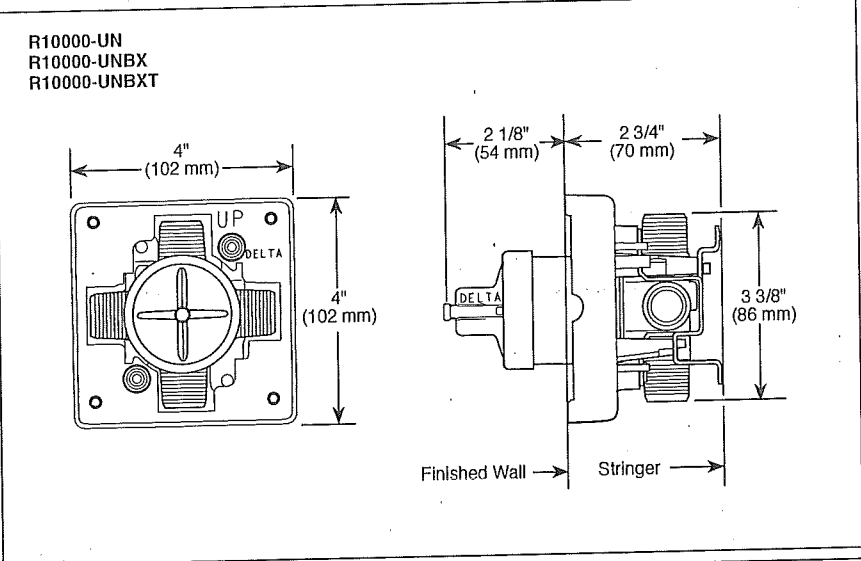



Hytec Plumbing Products
(Division of Kohler Canada Co.)
4150 Spallumcheen Dr, Armstrong BC V0E 1B6
Ph. (800) 871-8311 (250) 546-3196 Fax (250) 546-3170



Submitted Model No.: _____

Specific Features: _____

MULTICHOICE[®] UNIVERSAL ROUGH VALVE BODY

- R10000-UN (Universal Inlets/Outlets)
- R10000-UNBX (Universal Single Box Model)
- R10000-UNBXHF (High Flow Shower Only)
- R10000-UNBXT (Thin Wall)
- R10000-UNWS (Universal with Stops)
- R10000-UNWSHF (High Flow with Stops)
- R10000-UNWSBXT (Thin Wall with Stops)
- R10000-PX (Pex Crimp Connections with UN Outlets)
- ➔ ■ R10000-PXWS (Pex Crimp Connections with Stop with UN Outlets)
- R10000-IP (IPS Inlets/Outlets)
- R10000-IPWS (IPS with Stops)
- R10000-MF (Pex Cold Expansion Connections with UN Outlets)
- R10000-MFWS (Pex Cold Expansion with Stops with UN Outlets)

STANDARD SPECIFICATIONS:

- Forged brass body.
 - Back-to-Back Installation capabilities.
 - Can be tested with air (200 PSI) or water (300 PSI) without valve using supplied test cap.
 - Square plasterguard allows for right angle cuts.
 - Thin wall mounting.
 - For use with MultiChoice[®] Universal single or dual function trim. Cartridge ships with trim.
 - 1/2" outlets and connections.
- Note: No tub outlet in HF model.
 Note: Should use proper fitting with each type (copper tubing, iron pipe, and pex fitting).
 Note: Should use proper tooling with crimping pex fitting and cold expansion pex models.
 Note: IP indicates female 1/2" threaded connections.
 Note: UN indicates Universal type fitting and is 1/2" NPT male thread with 1/2" C.W.T. female sweat.

WARRANTY

- Lifetime limited warranty on parts (other than electronic parts and batteries) and finishes: or, for commercial users, for 5 years from date of purchase.
- 5 year limited warranty on electronic parts (other than batteries); or, for commercial users, for 1 year from the date of purchase. No warranty is provided on batteries.

COMPLIES WITH:

- ASME A112.18.1 / CSA B125.1

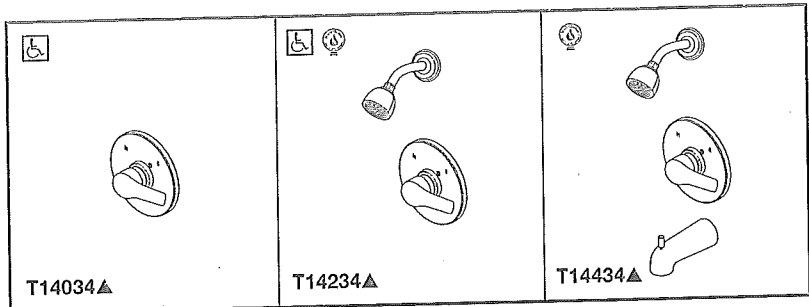


55 E. 111th Street, Indianapolis, Indiana 46280
 350 South Edgeware Road, St. Thomas, ON N5P 4L1
 © 2015 Masco Corporation of Indiana

Delta reserves the right (1) to make changes in specifications and materials, and (2) to change or discontinue models, both without notice or obligation. Dimensions are for reference only. See current full-line price book or www.deltafaucet.com for finish options and product availability.



TUB AND SHOWER FAUCET TRIM



Submitted Model No.: _____
 Specific Features: _____

- Wynne™ Collection
- Valve Only Trim (T14034 Series)
- Shower Only Trim (T14234 Series)
- Tub/Shower Trim (T14434 Series)
- Single Handle

STANDARD SPECIFICATIONS

- Monitor 14 Series pressure balanced bath mixing valve with Scald-Guard®
- Back-to-back installation capability.
- Field adjustable to limit handle rotation into hot water zone.
- 120° maximum handle rotation.
- For use with MultiChoice® Universal rough valve body. (R10000 Series)
- All parts replaceable from the front of the valve.
- Temperature only controlled with handle.
- Maintains a balanced pressure of hot and cold water even when a valve is turned on or off elsewhere in the system.
- 1/2" C.W.T slip-on spout.
- Maximum flow rate of showerhead: 1.75 gpm @ 80 psi [6.6 L/min @ 552 kPa].

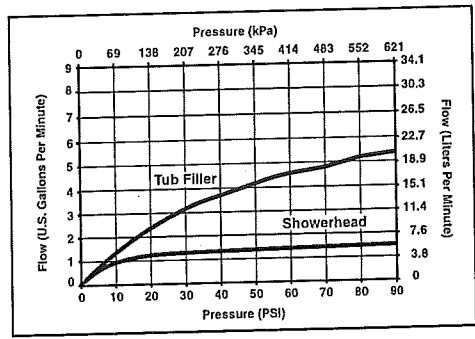
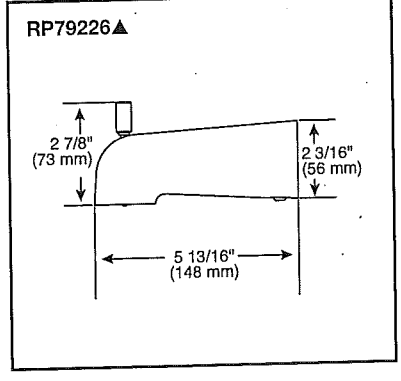
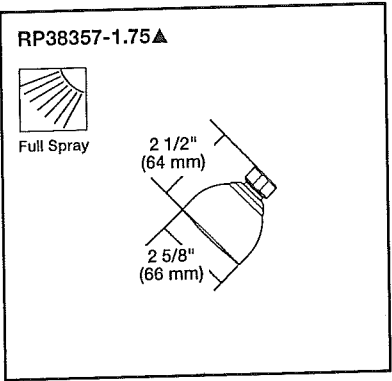
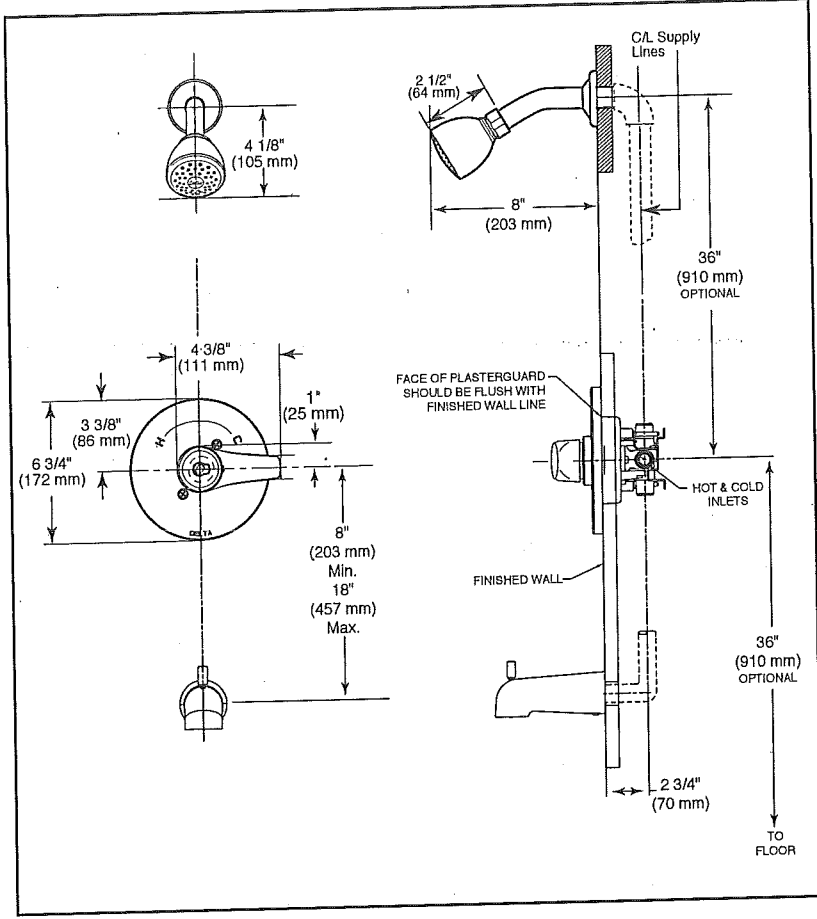
WARRANTY

- Lifetime Faucet and Finish Limited Warranty to the Original consumer purchaser to be free from defects in material and workmanship
- 5 year limited warranty for usage in all industrial, Commercial and business applications.



COMPLIES WITH:

- ASME A112.18.1 / CSA B125.1
- ASSE 1016-P
- CSA Certified
- EPA WaterSense® (T14234 and T14434 models only)
- Indicates compliance to ICC/ANSI A117.1 - (T14034 and T14234 models only)



▲ Designate proper finish suffix

Delta reserves the right (1) to make changes in specifications and materials, and (2) to change or discontinue models, both without notice or obligation. Dimensions are for reference only. See current full-line price book or www.specselect.com for finish options and product availability.
 DSP-B-T14034 Rev. A



55 E. 111th Street, Indianapolis, Indiana 46280
 395 Matheson Blvd. E., Mississauga, ON L4Z 2H2
 © 2014 Masco Corporation of Indiana

GROUND FLOOR BATH

American Standard

Style That Works Better

**FloWise™ DUAL FLUSH
ELONGATED TOILET**

VITREOUS CHINA

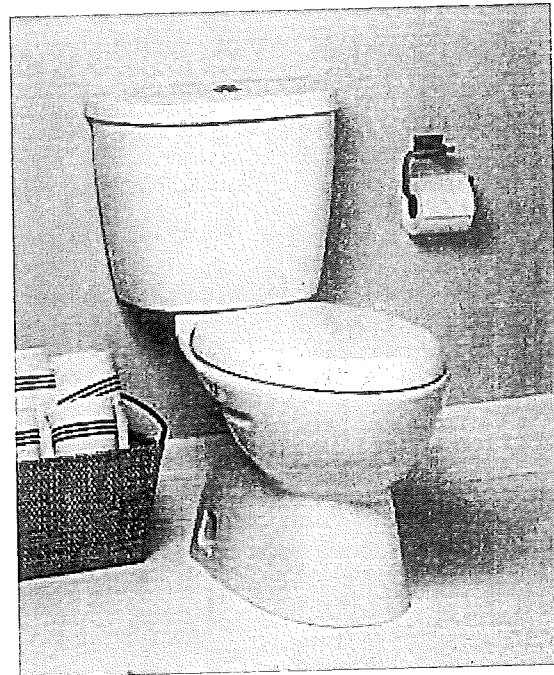
FloWise™ DUAL FLUSH ELONGATED TOILET

2476 216

- Vitreous china
- Low-consumption Dual Flush
Full flush 6.0 Lpf/1.3 gpf,
Partial flush 3.0 Lpf/0.66 gpf.
- Elongated wash down bowl
- Internal trapway fully-glazed,
2-1/4" (57mm) ballpass
- Concealed trapway bowl
- Chrome-plated top mounted
push button actuator
- Easy to clean sanitary dam on bowl
- Includes Elongated Slow Close Seat
- 100% factory flush tested
- 2 bolt caps

Separate Component Parts:

- 3067 316** Elongated Bowl with Slow Close Seat
- 4035 216** Unlined Tank



2476 516 Same as above with Lined tank

- 3067 316** Elongated Bowl
- 4035 516** Lined Tank

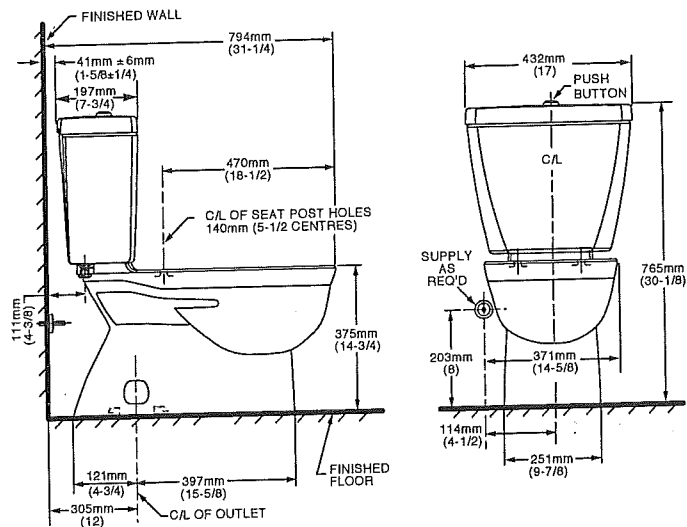
Nominal Dimensions:
794 x 432 x 765mm
(31-1/4" x 17" x 30-1/8")

**Compliance Certifications -
Meets or Exceeds the Following Specifications:**

- ASME A112.19.2M (and 19.6M)
- CAN/CSA B45 series

To Be Specified

- Colour: 020 White
- Supply with stop:



NOTES:
THIS TOILET IS DESIGNED TO ROUGH-IN AT A MINIMUM DIMENSION OF 305MM (12") FROM FINISHED WALL TO C/L OF OUTLET.
SUPPLY NOT INCLUDED WITH FIXTURE AND MUST BE ORDERED SEPARATELY.
* DIMENSION SHOWN FOR LOCATION OF SUPPLY IS SUGGESTED.
FOR ADDITIONAL INFORMATION REFER TO INSTALLATION INSTRUCTIONS SUPPLIED.
IMPORTANT: Dimensions of fixtures are nominal and may vary within the range of tolerance established by ANSI Standard A112.19.2
These measurements are subject to change or cancellation. No responsibility is assumed for use of superseded or voided pages.

UPGRADED VALUE ADDED FEATURES AT NO EXTRA CHARGE

BEMIS.

**RESIDENTIAL
PLASTIC TOILET SEAT**

MODEL #

COLOR #

1800EC

DESCRIPTION:

Closed front with cover, elongated, injection molded solid plastic toilet seat. Features four molded-in bumpers, color-matched Easy•Clean & Change® hinges with non-corrosive, top-tightening bolts and wing nuts. This seat complies with IAPMO/ANSI Z124.5-2013 Plastic Toilet Seats as a class Commercial Heavy Duty.

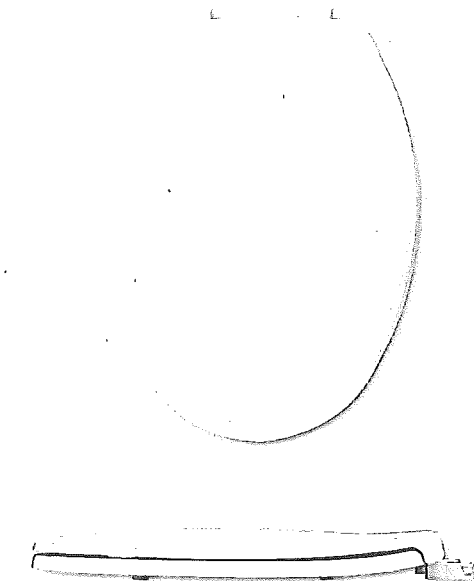
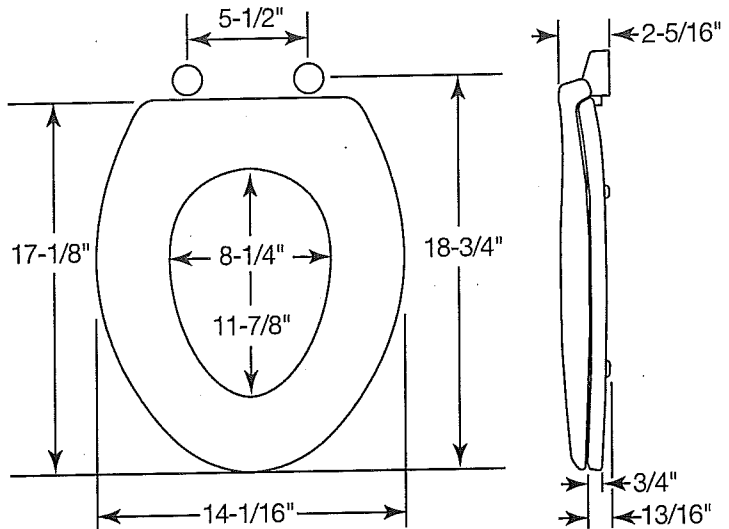
SPECIFICATIONS:

Size: Elongated
 Material: Plastic
 Style: Closed Front with Cover
 Bumpers: Four
 Hinges: Plastic Easy•Clean & Change®
 Fastening System: Non-Corrosive Bolts and Wing Nuts

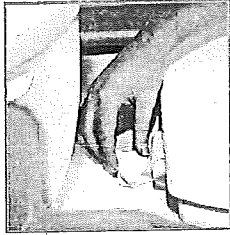
FEATURES:

Easy•Clean & Change®
 Non-Corrosive Bolts and Wing Nuts

DIMENSIONS:



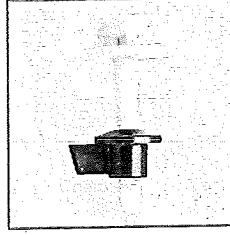
PLASTIC EASY•CLEAN & CHANGE® HINGES



TWIST HINGES TO UNLOCK



EASY REMOVAL OF SEAT FOR THOROUGH CLEANING



NON-CORROSIVE BOLTS AND WING NUTS

Proudly Made in the USA

Bemis Manufacturing Co., Sheboygan Falls, WI 53085
www.ToiletSeats.com

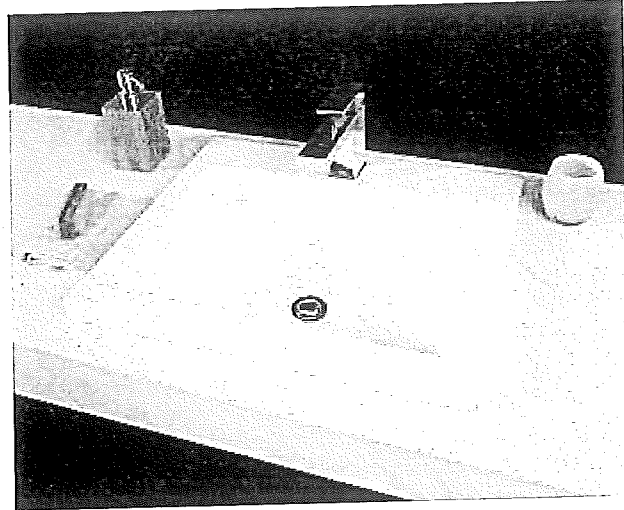
Phone: 800-558-7651 Fax: 800-292-3647

 BARRIER FREE

STUDIO® DROP IN SINK

- Vitreous china
- Rectangular self-rimming drop in sink
- Cutout template supplied
- Front overflow
- Faucet ledge
(Faucet shown not included)

- 0643 008
Faucet holes on 8" (203mm) centres
- 0643 001
Centre Hole Only

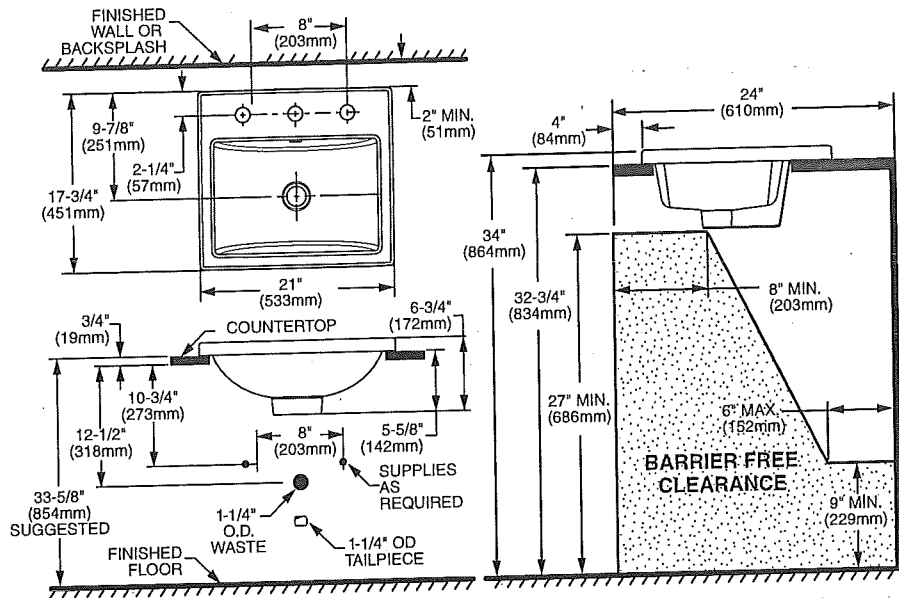


Nominal Dimensions:

21" x 17-3/4"
(533 x 451mm)

Bowl sizes:

18" (457mm) wide,
12" (305mm) front to back,
4-1/2" (114mm) deep



Compliance Certifications -
Meets or Exceeds the Following Specifications:

- ASME A112.19.2M for Vitreous China Fixtures
- CAN/CSA B45 series

To Be Specified

- Colour: White
- Faucet Finish:
- Supplies & Stops:
- Trap 1-1/4" (32 mm):

NOTES:

- * DIMENSIONS SHOWN FOR LOCATION OF SUPPLIES AND "P" TRAP ARE SUGGESTED. FAUCETS NOT INCLUDED WITH FIXTURE AND MUST BE ORDERED SEPARATELY. FOR COUNTERTOP CUTOUT AND INSTALLATION INSTRUCTIONS USE TEMPLATE SUPPLIED WITH SINK.

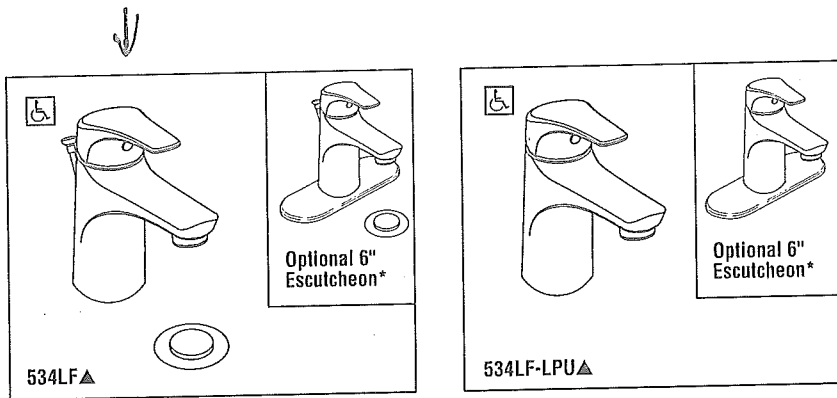
SEALING COMPOUND SUPPLIED BY OTHERS.

IMPORTANT: Dimensions of fixtures are nominal and may vary within the range of tolerances established by ANSI Standard A112.19.2. These measurements are subject to change or cancellation. No responsibility is assumed for use of superseded or voided leaflet.



- Countertop 864mm (34") from finished floor. Sink installed 102mm (4") from front edge of countertop. Countertop thickness to be 25mm (1") maximum. MEETS THE AMERICAN DISABILITIES ACT GUIDELINES AND ANSI A117.1 ACCESSIBLE AND USEABLE BUILDINGS AND FACILITIES - CHECK LOCAL CODES.

* See faucet section for additional models available



LAVATORY FAUCETS

- Wynne™ Collection
- Single Handle Deck Mount
- 1 or 3 Hole Sink Applications

STANDARD SPECIFICATIONS:

- Single handle lavatory faucet.
- Ceramic cartridge with high temperature rotational limit stop.
- Cast centerset with 50/50 pop-up.
- 1 or 3 hole sink applications.
*Order RP47973 6" optional escutcheon plate for 3-hole sinks installation - Not included.
- Models with suffix "LPU" are less pop-up.
- 4.25" (108 mm) long reach on spout.
- Maximum 2" (51 mm) deck thickness.
- Handle: 3.19" (81 mm) lever handle - ADA compliant-colour indexed.
- Maximum flow rate 1.2 gpm @ 60 psi (4.5 L/min @ 414 kPa)

WARRANTY

- Lifetime Faucet and Finish Limited Warranty to the original consumer purchaser to be free from defects in material and workmanship.
- 5 Year Limited Warranty for usage in all industrial, commercial and business applications.

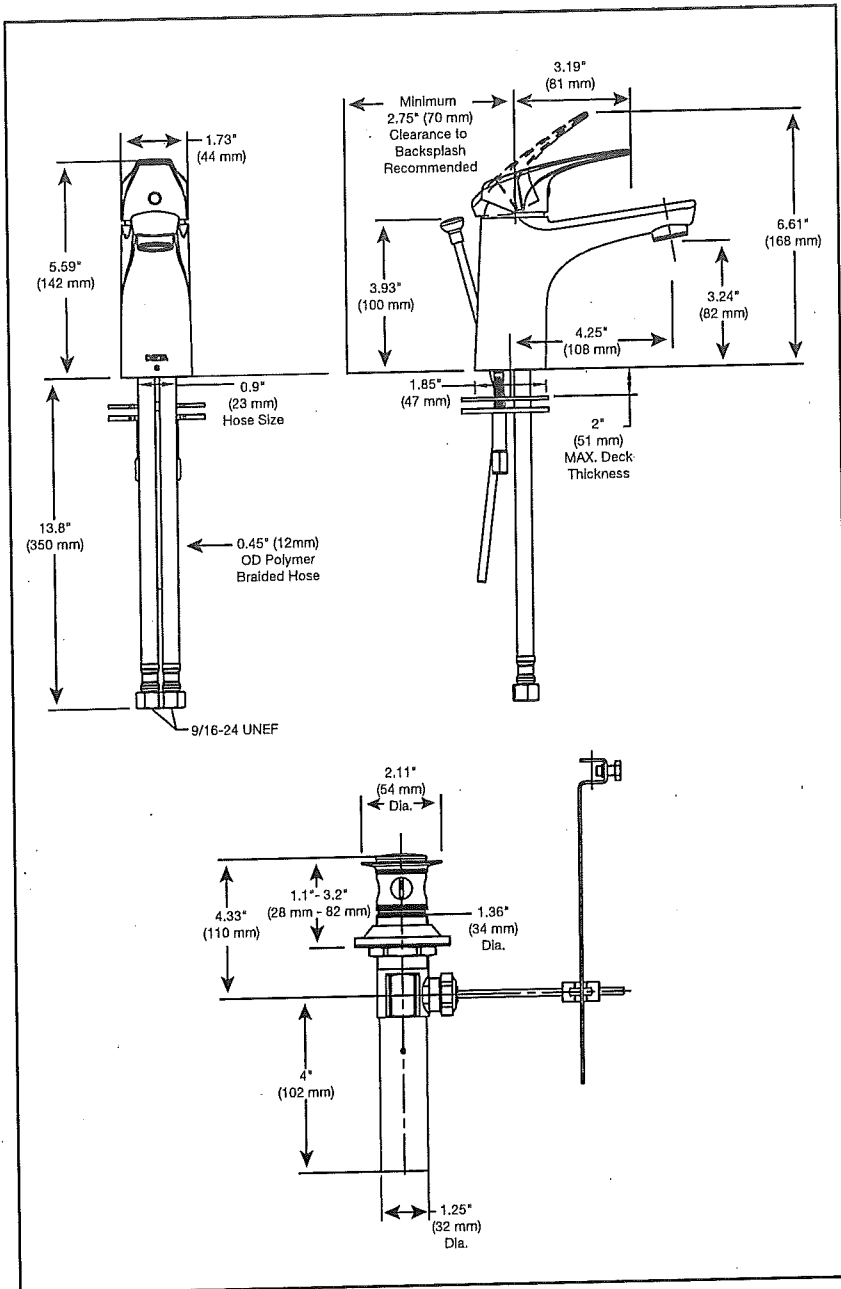


COMPLIES WITH:

- CSA certified
- ASME A112.18.1 / CSA B125.1
- ASME A112.18.2 / CSA B125.2 - 534LF▲ only
- Indicates ADA compliance to ICC/ANSI A117.1
- EPA WaterSense - 534LF▲ & 534LF-LPU▲ only
- Verified compliant with 0.25% weighted average Pb content regulations.

Submitted Model No.: _____

Specific Features: _____

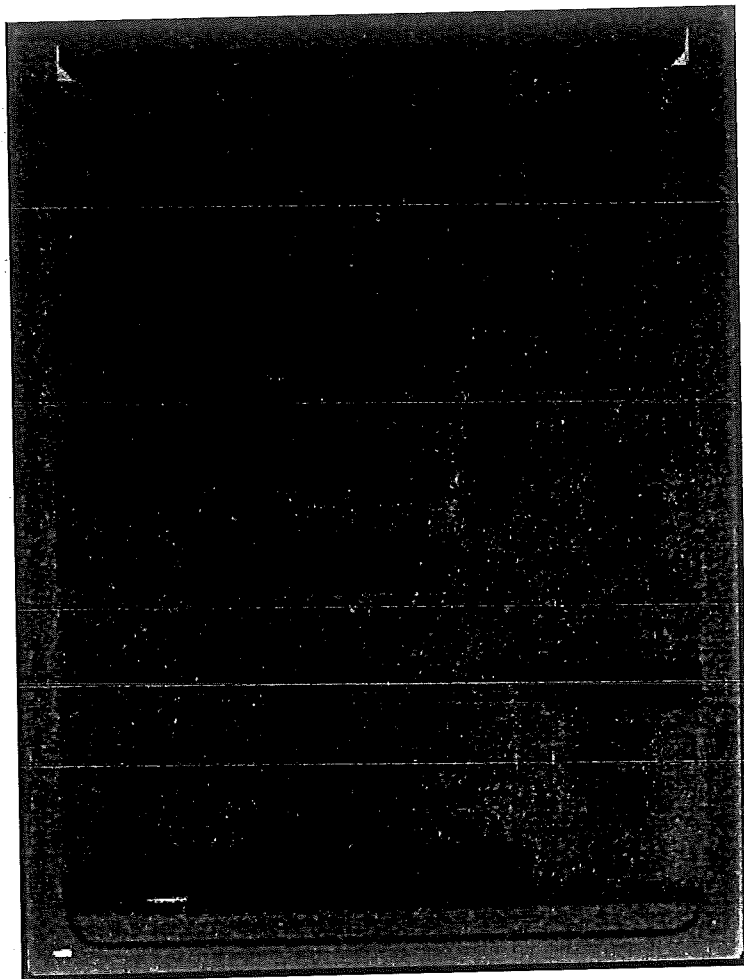


▲ Designate proper finish suffix

Delta reserves the right (1) to make changes in specifications and materials, and (2) to change or discontinue models, both without notice or obligation. Dimensions are for reference only. See current full-line price book or www.specselect.com for finish options and product availability.



55 E. 111th Street, Indianapolis, Indiana 46280
350 South Edgeware Road, St. Thomas, ON N5P 4L1
© 2017 Masco Corporation of Indiana



Model S603

Model S602
(Right-hand Plumbing, Left-hand Seat)

Model S603
(Left-hand Plumbing, Right-hand Seat)

Length: 60" (1524 mm)

Width: 36" (914 mm)

Height: 78 3/4" (2000 mm)

Shipping Weight: 149 lbs. (67.6 Kg)

Materials: Gelcoat finish reinforced
with fibreglass.

A large and comfortable shower, this model
is well-suited for new construction and is
available as a two-piece unit for renovations.

Standard Features:

- Easy to clean high gloss surface
- Chip and mar resistant
- Clear acrylic grip rail
- Moulded-in floor pattern
- Two convenient toiletry shelves
- Pillars for added strength

Colours:

- Standard: White, Almond (Bone) or Biscuit
- Optional: Kohler Colours

Other Configurations:

- 2-piece knockdown (KD)

All products manufactured by Hytec are covered by
a comprehensive five-year limited warranty from the
date of sale to the original owner. See the Hytec
Bathing Fixtures List Price Book for further details.

Hytec Plumbing Products

(Division of Kohler Canada Co.)

4150 Spallumcheen Dr, Armstrong BC V0E 1B6

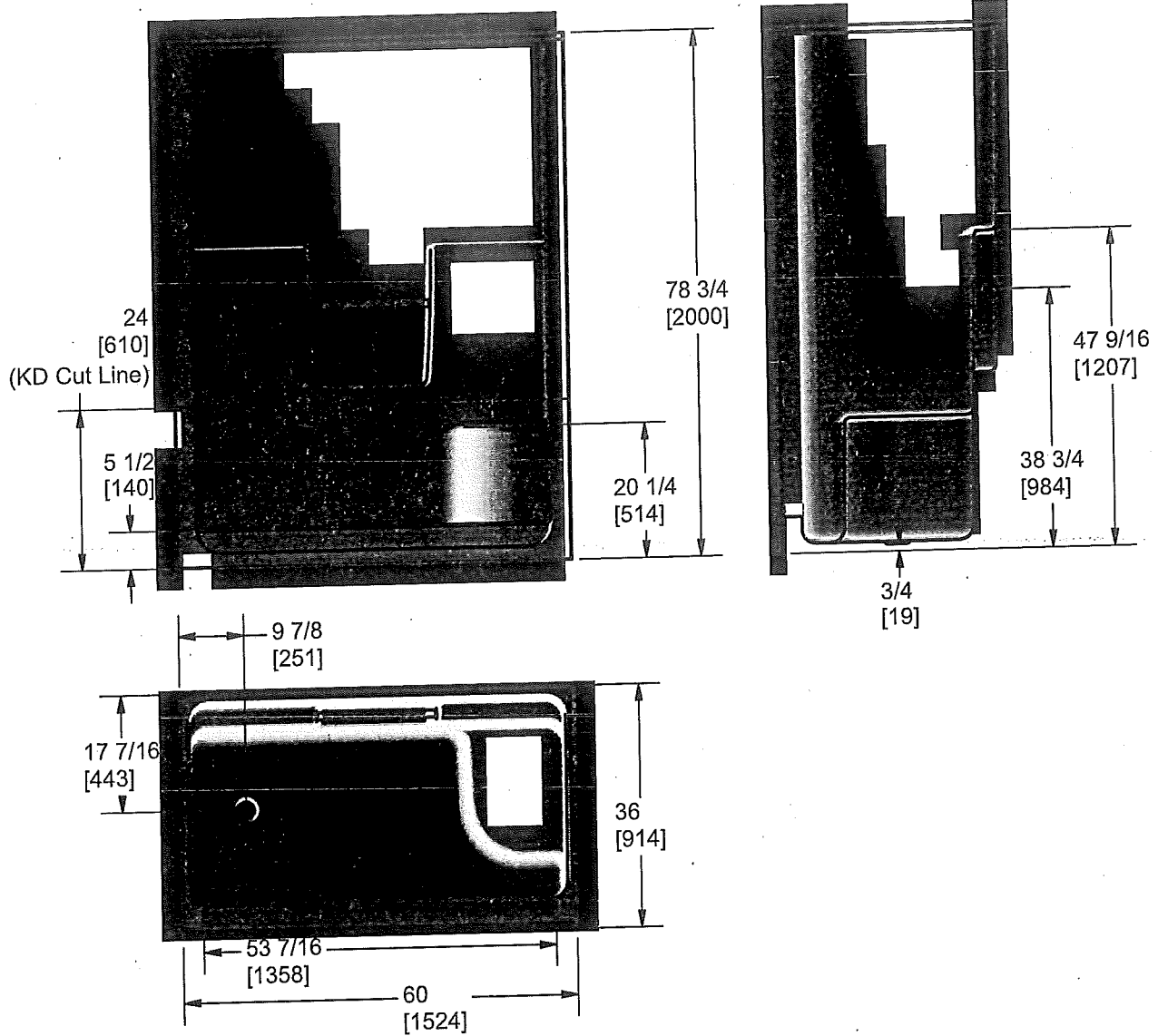
Ph. (800) 871-8311 (250) 546-3196 Fax (250) 546-3170

BARRETT™ SHOWERS

Hytec.ca

Model S602/03

GELCOAT



Measurement tolerances $\pm \frac{1}{4}$ " (6.3 mm)

All bathing fixtures comply with the applicable Canadian Standards.

For installation procedures, please refer to instructions included with each unit.

This sheet approximately describes products and equipment manufactured or supplied by Hytec Plumbing Products. Because of ongoing efforts to improve both design and quality, products and equipment actually furnished may differ without prior notice.

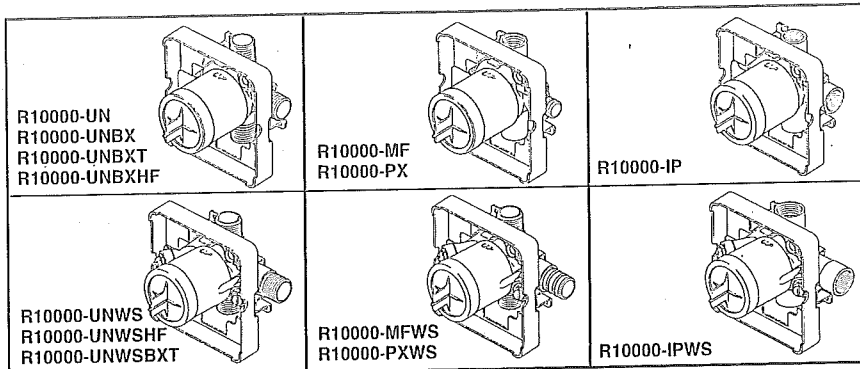


Hytec Plumbing Products

(Division of Kohler Canada Co.)

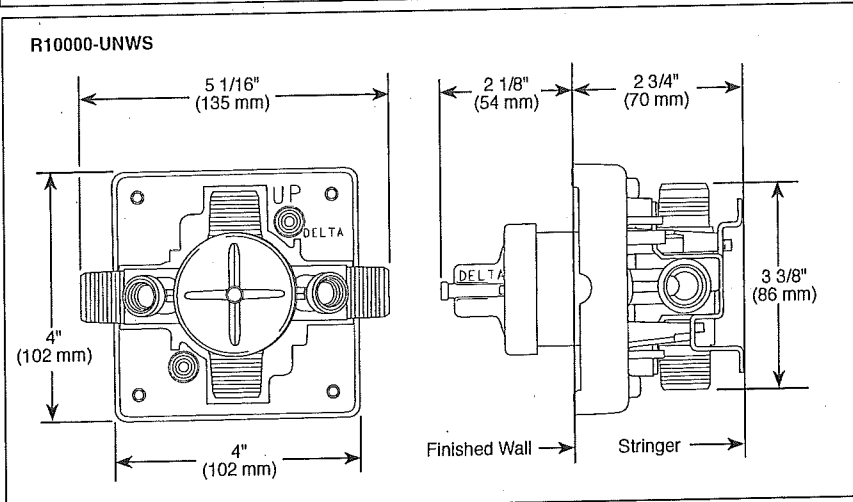
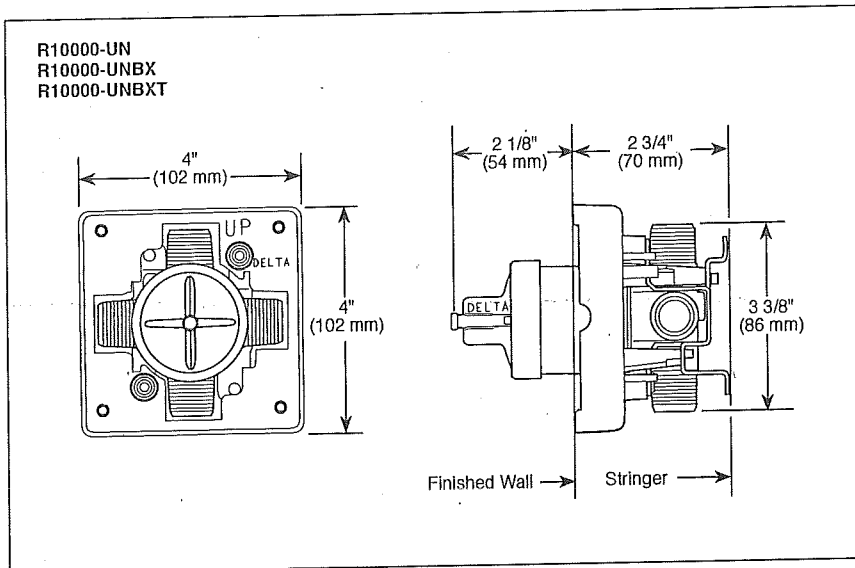
4150 Spallumcheen Dr, Armstrong BC V0E 1B6

Ph. (800) 871-8311 (250) 546-3196 Fax (250) 546-3170



Submitted Model No.: _____

Specific Features: _____



MULTICHOICE® UNIVERSAL ROUGH VALVE BODY

- R10000-UN (Universal Inlets/Outlets)
- R10000-UNBX (Universal Single Box Model)
- R10000-UNBXHF (High Flow Shower Only)
- R10000-UNBXT (Thin Wall)
- R10000-UNWS (Universal with Stops)
- R10000-UNWSHF (High Flow with Stops)
- R10000-UNWSBXT (Thin Wall with Stops)
- R10000-PX (Pex Crimp Connections with UN Outlets)
- ➔ ■ R10000-PXWS (Pex Crimp Connections with Stop with UN Outlets)
- R10000-IP (IPS Inlets/Outlets)
- R10000-IPWS (IPS with Stops)
- R10000-MF (Pex Cold Expansion Connections with UN Outlets)
- R10000-MFWS (Pex Cold Expansion with Stops with UN Outlets)

STANDARD SPECIFICATIONS:

- Forged brass body.
- Back-to-Back installation capabilities.
- Can be tested with air (200 PSI) or water (300 PSI) without valve using supplied test cap.
- Square plasterguard allows for right angle cuts.
- Thin wall mounting.
- For use with MultiChoice® Universal single or dual function trim. Cartridge ships with trim.
- 1/2" outlets and connections.

Note: No tub outlet in HF model.

Note: Should use proper fitting with each type (copper tubing, iron pipe, and pex fitting).

Note: Should use proper tooling with crimping pex fitting and cold expansion pex models.

Note: IP indicates female 1/2" threaded connections.

Note: UN indicates Universal type fitting and is 1/2" NPT male thread with 1/2" C.W.T. female sweat.

WARRANTY

- Lifetime limited warranty on parts (other than electronic parts and batteries) and finishes: or, for commercial users, for 5 years from date of purchase.
- 5 year limited warranty on electronic parts (other than batteries); or, for commercial users, for 1 year from the date of purchase. No warranty is provided on batteries.

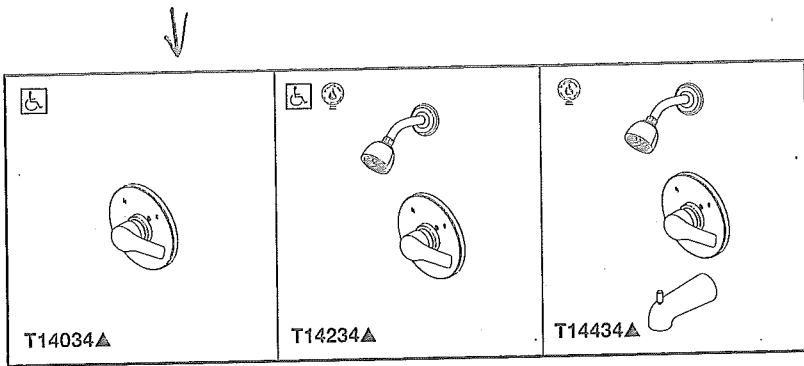
COMPLIES WITH:

- ASME A112.18.1 / CSA B125.1

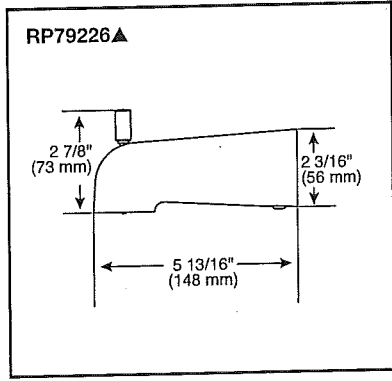
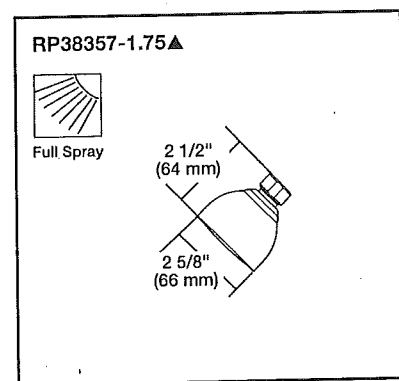
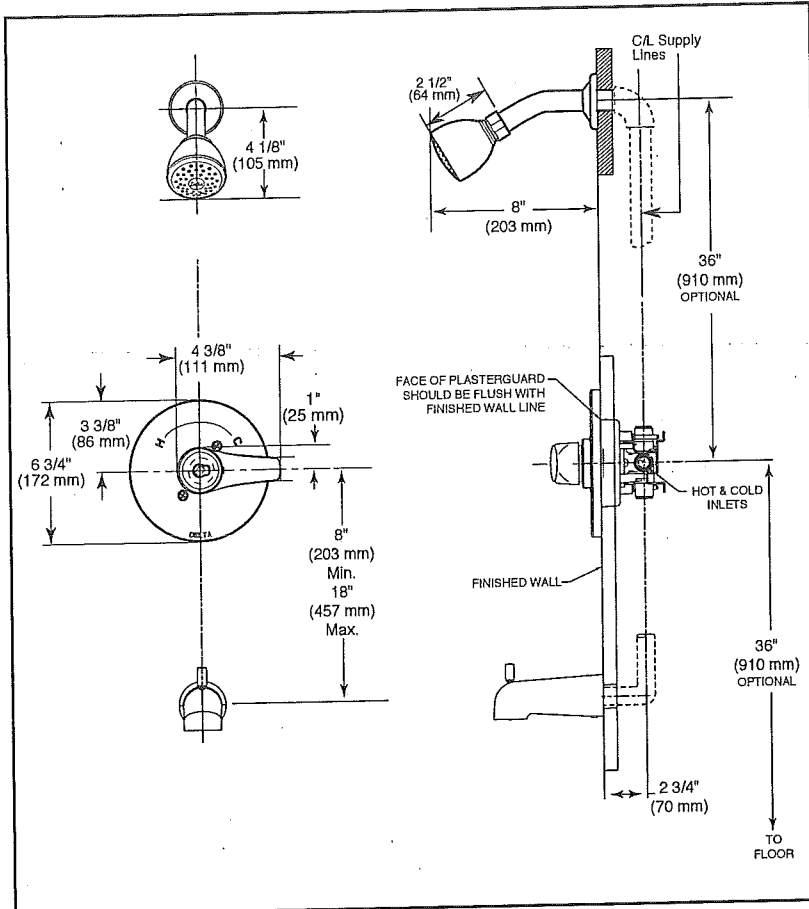


55 E. 111th Street, Indianapolis, Indiana 46280
350 South Edgeware Road, St. Thomas, ON N5P 4L1
© 2015 Masco Corporation of Indiana

Delta reserves the right (1) to make changes in specifications and materials, and (2) to change or discontinue models, both without notice or obligation. Dimensions are for reference only. See current full-line price book or www.deltafaucet.com for finish options and product availability.



Submitted Model No.: _____
 Specific Features: _____



▲ Designate proper finish suffix

Delta reserves the right (1) to make changes in specifications and materials, and (2) to change or discontinue models, both without notice or obligation. Dimensions are for reference only. See current full-line price book or www.specselect.com for finish options and product availability.
 DSP-B-T14034 Rev. A



TUB AND SHOWER FAUCET TRIM

- Wynne™ Collection
- Valve Only Trim (T14034 Series)
- Shower Only Trim (T14234 Series)
- Tub/Shower Trim (T14434 Series)
- Single Handle

STANDARD SPECIFICATIONS

- Monitor 14 Series pressure balanced bath mixing valve with Scald-Guard®
- Back-to-back installation capability.
- Field adjustable to limit handle rotation into hot water zone.
- 120° maximum handle rotation.
- For use with MultiChoice® Universal rough valve body. (R10000 Series)
- All parts replaceable from the front of the valve.
- Temperature only controlled with handle.
- Maintains a balanced pressure of hot and cold water even when a valve is turned on or off elsewhere in the system.
- 1/2" C.W.T slip-on spout.
- Maximum flow rate of showerhead: 1.75 gpm @ 80 psi (6.6 L/min @ 552 kPa).

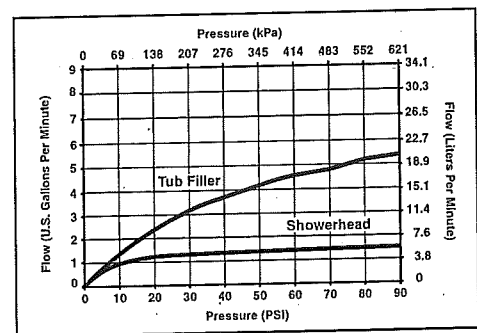
WARRANTY

- Lifetime Faucet and Finish Limited Warranty to the Original consumer purchaser to be free from defects in material and workmanship
- 5 year limited warranty for usage in all industrial, Commercial and business applications.



COMPLIES WITH:

- ASME A112.18.1 / CSA B125.1
- ASSE 1016-P
- CSA Certified
- EPA WaterSense® (T14234 and T14434 models only)
- Indicates compliance to ICC/ANSI A117.1 - (T14034 and T14234 models only)



55 E. 111th Street, Indianapolis, Indiana 46280
 395 Matheson Blvd. E., Mississauga, ON L4Z 2H2
 © 2014 Masco Corporation of Indiana

Submitted Model No.: _____
 Specific Features: _____



see what Delta can do™

PERSONAL HAND HELD SHOWERS

- 29" Wall Bar, 24" Wall bar, 24" Glide Rail Wall Mount, or Shower Arm Mount

STANDARD SPECIFICATIONS:

- Maximum 1.75 gpm @ 80 psi, 6.6 L/min @ 550 kPa
- Hand held shower with seven spray patterns – pause is a non-positive shut-off
- Wall bar w/adjustable slide (allows for adjustable shower height). Not to be used as a grab bar.
- ADA handshower when installed per accessibility guidelines of the act
- 60" - 82" (1524 mm - 2083 mm) stretchable metal hose

WARRANTY

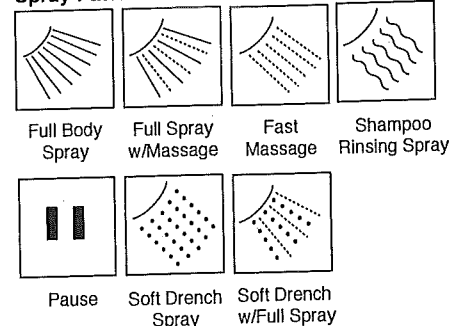
- Lifetime limited warranty on parts (other than electronic parts and batteries) and finishes; or, for commercial users, for 5 years from date of purchase.
- 5 year limited warranty on electronic parts (other than batteries); or, for commercial users, for 1 year from the date of purchase. No warranty is provided on batteries.



COMPLIES WITH:

- ASME A112.18.1 / CSA B125.1
 - EPA WaterSense®
- ♿ Indicates compliance to ICC / ANSI A117.1

Spray Patterns



<p>51701</p>	<p>51708▲</p>	<p>51751</p>
<p>59711-▲PK</p>	<p>59716▲</p>	<p>59346-▲PK</p>
<p>59426-▲PK</p>		

▲ Designate proper finish suffix

Delta reserves the right (1) to make changes in specifications and materials, and (2) to change or discontinue models, both without notice or obligation. Dimensions are for reference only. See current full-line price book or www.deltafaucet.com for finish options and product availability.

Delta Faucet Company
 55 E. 111th Street, Indianapolis, IN 46280
 350 South Edgeware Road, St. Thomas, ON N5P 4L1
 © 2017 Delta Faucet Company

POWDER ROOM

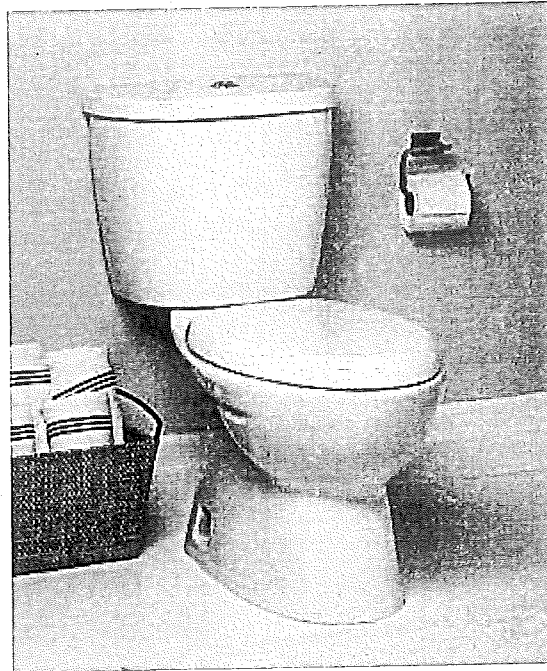
FloWise™ DUAL FLUSH ELONGATED TOILET

2476 216

- Vitreous china
- Low-consumption Dual Flush
Full flush 6.0 Lpf/1.3 gpf,
Partial flush 3.0 Lpf/0.66 gpf.
- Elongated wash down bowl
- Internal trapway fully-glazed,
2-1/4" (57mm) ballpass
- Concealed trapway bowl
- Chrome-plated top mounted
push button actuator
- Easy to clean sanitary dam on bowl
- Includes Elongated Slow Close Seat
- 100% factory flush tested
- 2 bolt caps

Separate Component Parts:

- 3067 316 Elongated Bowl with Slow Close Seat
- 4035 216 Unlined Tank



2476 516 Same as above with Lined tank

- 3067 316 Elongated Bowl
- 4035 516 Lined Tank

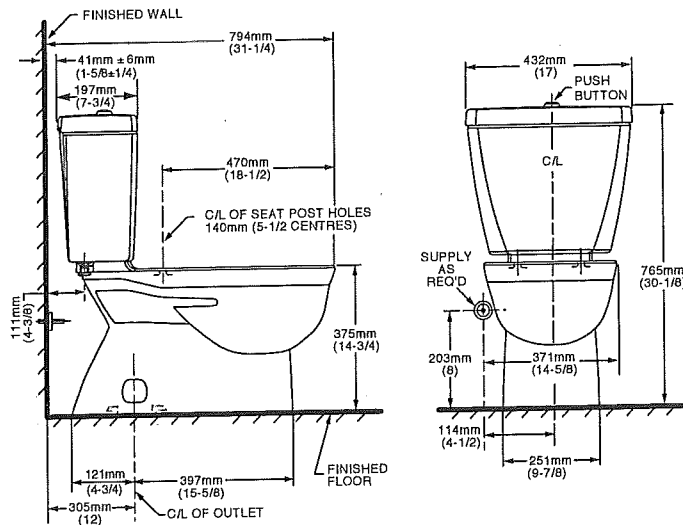
Nominal Dimensions:
794 x 432 x 765mm
(31-1/4" x 17" x 30-1/8")

**Compliance Certifications -
Meets or Exceeds the Following Specifications:**

- ASME A112.19.2M (and 19.6M)
- CAN/CSA B45 series

To Be Specified

- Colour: 020 White
- Supply with stop:



NOTES:
THIS TOILET IS DESIGNED TO ROUGH-IN AT A MINIMUM DIMENSION OF 305MM (12") FROM FINISHED WALL TO C/L OF OUTLET.
SUPPLY NOT INCLUDED WITH FIXTURE AND MUST BE ORDERED SEPARATELY.
* DIMENSION SHOWN FOR LOCATION OF SUPPLY IS SUGGESTED.
FOR ADDITIONAL INFORMATION REFER TO INSTALLATION INSTRUCTIONS SUPPLIED.
IMPORTANT: Dimensions of fixtures are nominal and may vary within the range of tolerance established by ANSI Standard A112.19.2
These measurements are subject to change or cancellation. No responsibility is assumed for use of superseded or voided pages.

UPGRADED VALUE ADDED FEATURES AT NO EXTRA CHARGE

BEMIS.

RESIDENTIAL PLASTIC TOILET SEAT

MODEL #

COLOR #

1800EC

DESCRIPTION:

Closed front with cover, elongated, injection molded solid plastic toilet seat. Features four molded-in bumpers, color-matched Easy•Clean & Change® hinges with non-corrosive, top-tightening bolts and wing nuts. This seat complies with IAPMO/ANSI Z124.5-2013 Plastic Toilet Seats as a class Commercial Heavy Duty.

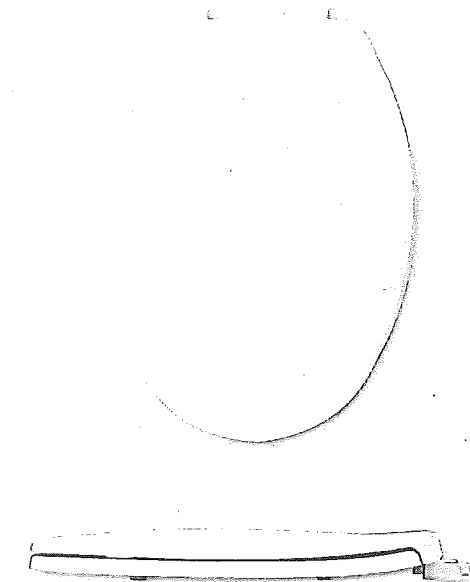
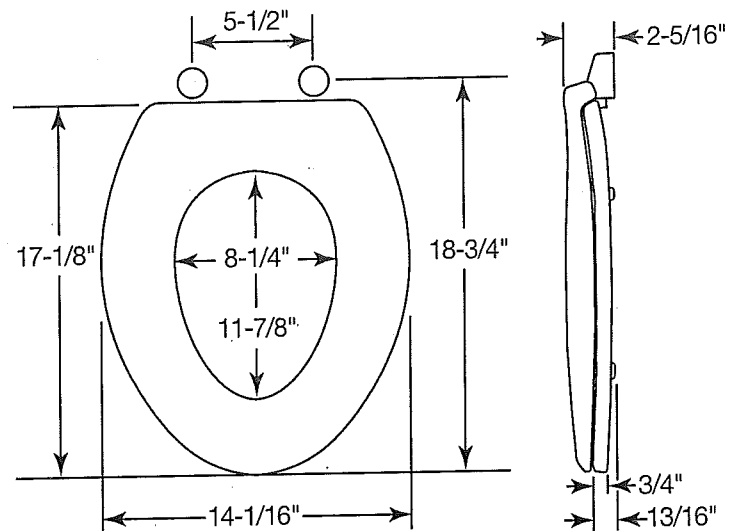
SPECIFICATIONS:

Size:	Elongated
Material:	Plastic
Style:	Closed Front with Cover
Bumpers:	Four
Hinges:	Plastic Easy•Clean & Change®
Fastening System:	Non-Corrosive Bolts and Wing Nuts

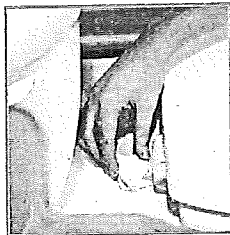
FEATURES:

- Easy•Clean & Change®
- Non-Corrosive Bolts and Wing Nuts

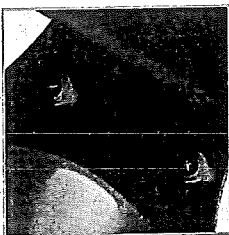
DIMENSIONS:



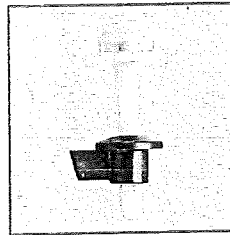
PLASTIC EASY•CLEAN & CHANGE® HINGES



TWIST HINGES TO UNLOCK



EASY REMOVAL OF SEAT FOR THOROUGH CLEANING



NON-CORROSIVE BOLTS AND WING NUTS

 Proudly Made in the USA

Bemis Manufacturing Co., Sheboygan Falls, WI 53085
www.ToiletSeats.com

Phone: 800-558-7651 Fax: 800-292-3647

EVOLUTION® 24" (610mm) PEDESTAL SINK

- Vitreous china
- Rear overflow
- Supplied with mounting kit
- Faucet ledge with generous shelf area

- 0468 100 Faucet centre hole only
- 0468 400 Faucet holes on 102mm (4") centres
- 0468 800 Faucet holes on 203mm (8") centres

Nominal Dimensions:
610 x 477x 878mm
(24" x 18-3/4" x 34-1/2")

SEPARATE COMPONENT PARTS:

- 0468 001 Pedestal Top - Centre hole only
- 0468 004 Pedestal Top - 102mm (4") centres
- 0468 008 Pedestal Top - 203mm (8") centres
- 731150-400 Pedestal base only

Bowl Sizes:

502mm (19-3/4") wide
305mm (12") front to back
152mm (6") deep

Compliance Certifications -

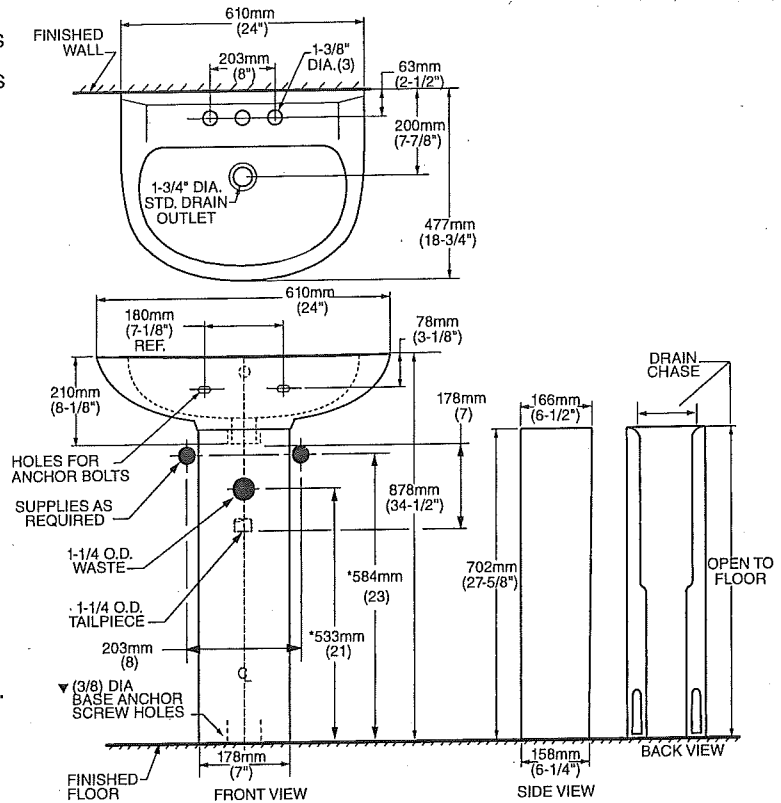
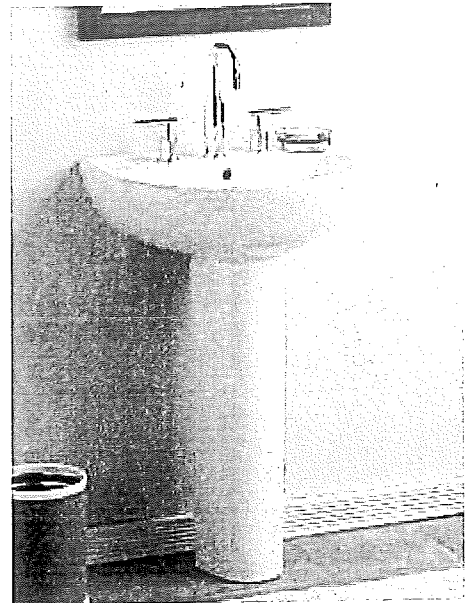
Meets or Exceeds the Following Specifications:

- ASME A112.19.2M for Vitreous China Fixtures.
- CAN/CSA B45 Series.

To Be Specified

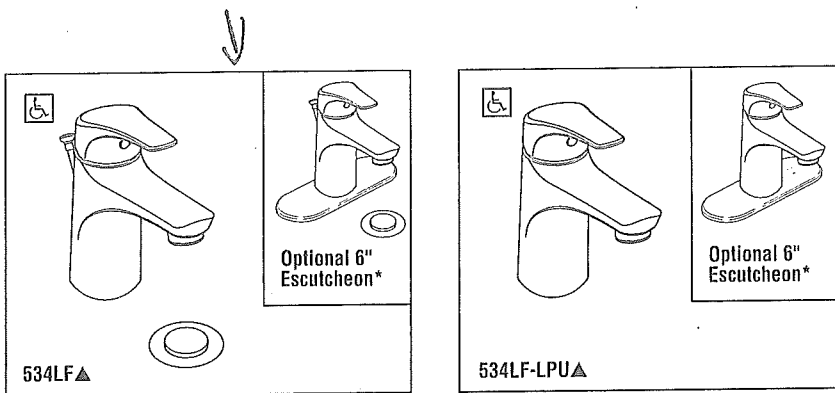
- Colour: White Bone Linen
- Faucet*:
- Faucet Finish:
- Supplies & Stops:
- Trap 1-1/4" (32 mm):

* See faucet section for additional models available



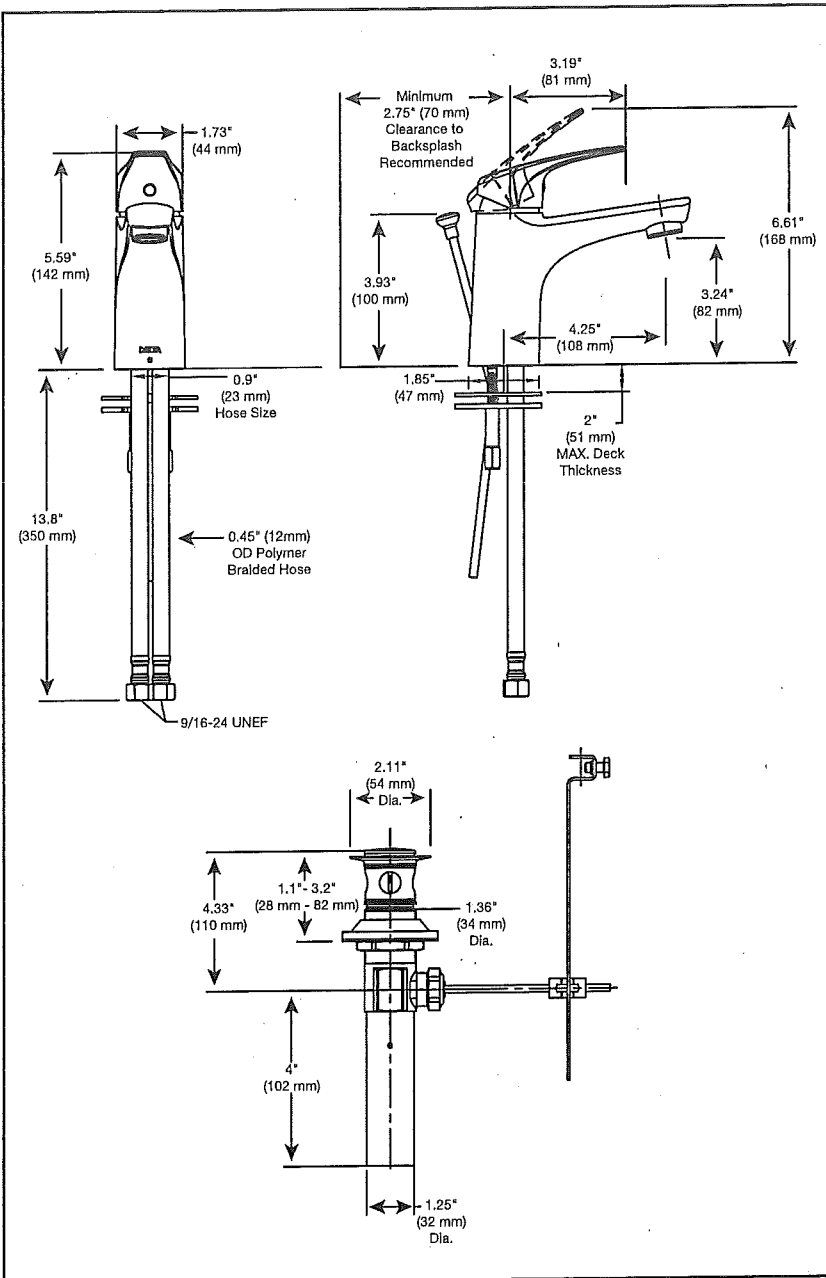
NOTES:

- * DIMENSIONS SHOWN FOR LOCATION OF SUPPLIES AND "P" TRAPS ARE SUGGESTED.
- ▼ PEDESTAL ANCHORING SCREWS NOT INCLUDED. INSTALLATION INSTRUCTIONS SUPPLIED WITH BASIN.
- SUITABLE FOR REINFORCEMENT ONLY. ACTUAL DIMENSIONS MUST BE TAKEN FROM FIXTURE.
- FAUCETS NOT INCLUDED AND MUST BE ORDERED SEPARATELY. PROVIDE SUITABLE REINFORCEMENT FOR ALL WALL SUPPORTS.
- IMPORTANT: Dimensions of fixtures are nominal and may vary within the range of tolerance established by ANSI Standard A112.19.2
- These measurements are subject to change or cancellation. No responsibility is assumed for use of superseded or voided pages.



Submitted Model No.: _____

Specific Features: _____



▲ Designate proper finish suffix

Delta reserves the right (1) to make changes in specifications and materials, and (2) to change or discontinue models, both without notice or obligation. Dimensions are for reference only. See current full-line price book or www.specselect.com for finish options and product availability.

DSP-L-534LF Rev. B



LAVATORY FAUCETS

- Wynne™ Collection
- Single Handle Deck Mount
- 1 or 3 Hole Sink Applications

STANDARD SPECIFICATIONS:

- Single handle lavatory faucet.
- Ceramic cartridge with high temperature rotational limit stop.
- Cast centerset with 50/50 pop-up.
- 1 or 3 hole sink applications.
 - *Order RP47973 6" optional escutcheon plate for 3-hole sinks installation – Not included.
- Models with suffix "LPU" are less pop-up.
- 4.25" (108 mm) long reach on spout.
- Maximum 2" (51 mm) deck thickness.
- Handle: 3.19" (81 mm) lever handle – ADA compliant-colour indexed.
- Maximum flow rate 1.2 gpm @ 60 psi (4.5 L/min @ 414 kPa)

WARRANTY

- Lifetime Faucet and Finish Limited Warranty to the original consumer purchaser to be free from defects in material and workmanship.
- 5 Year Limited Warranty for usage in all industrial, commercial and business applications.



COMPLIES WITH:

- CSA certified
- ASME A112.18.1 / CSA B125.1
- ASME A112.18.2 / CSA B125.2 – 534LF▲ only
- Indicates ADA compliance to ICC/ANSI A117.1
- EPA WaterSense – 534LF▲ & 534LF-LPU▲ only
- Verified compliant with 0.25% weighted average Pb content regulations.



55 E. 111th Street, Indianapolis, Indiana 46280
 350 South Edgeware Road, St. Thomas, ON N5P 4L1
 © 2017 Masco Corporation of Indiana