

FREESTANDING TUB AIR JETTING SYSTEM

MAAX SUBMITTAL SPECIFICATIONS

Optik F

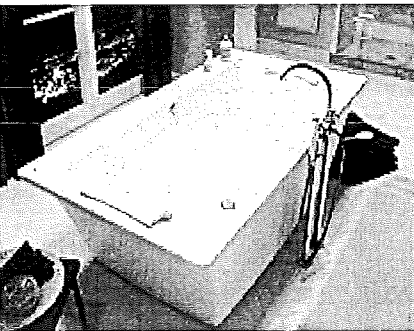
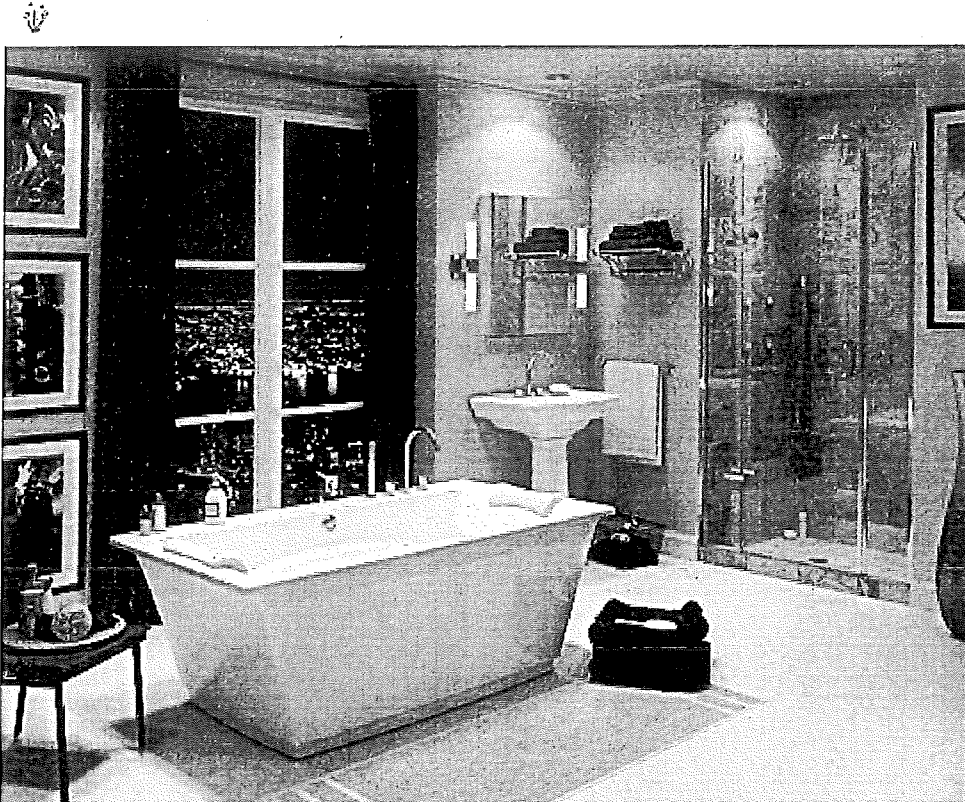
MODEL NUMBER 105742

DIMENSIONS: 66" x 36" x 24" Acrylic

Vivez l'expérience

MAAX®

Enjoy the experience



STANDARD FEATURES

- Sleek post-minimalist 2-piece combines straight and curvaceous lines
- Inclined backrest
- Curvaceous inset armrests
- Deep bathing well
- Two deck widths for different styles of faucet
- 4-Self-leveling legs
- Centre drain
- Above-the-Floor Rough (AFR)
- Apron available in white and four bold colours

OPTIONS

- Fjord 8-in. widespread lavatory
- Water pipe inlets (Fjord)

UNIQUE FEATURES

- 4 Self-Leveling Legs
- 1 Tub - 2 Pieces

SYSTEMS

 Aerofeel

DOOR SELECTION

Combine with MAAX's complete shower door offering visit

www.maax.com

CERTIFICATIONS

Maax products adhere to one or more of the following certifications:



Project : _____
Contractor : _____
MAAX Representative : _____ Tel : _____
Date : _____

www.maax.com

2012-09-17

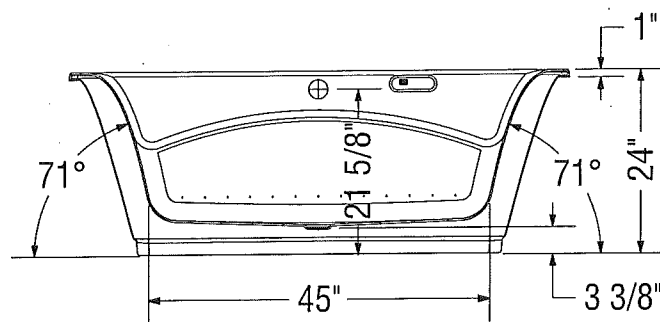
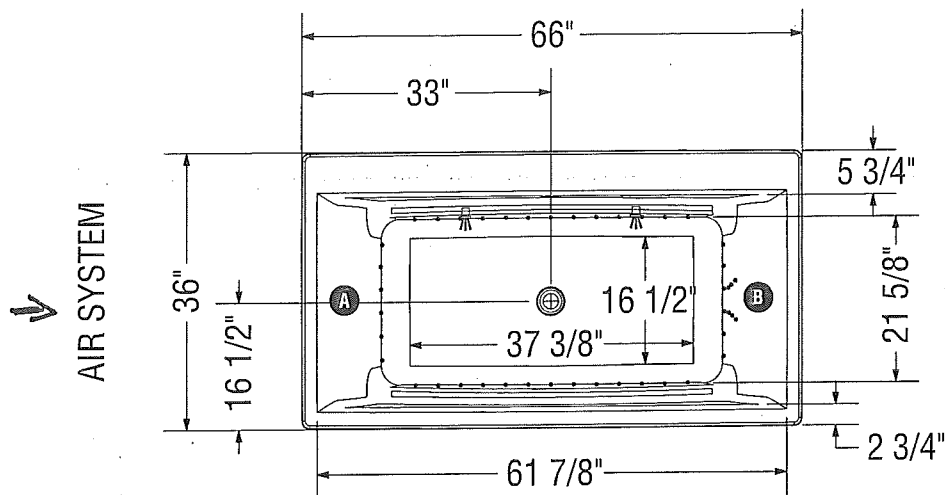
MAAX SUBMITTAL SPECIFICATIONS

Vivez l'expérience
MAAX[®]
Enjoy the experience

Optik F

MODEL NUMBER 105742

TECHNICAL DRAWINGS



- A** : Specify blower and/or pump location when ordering
- B** : Specify blower and/or pump location when ordering
- (•) : Indicates airjets positioning
- (⊕) : Indicates chromatherapy light positioning

All dimensions are approximate. Structure measurements must be verified against the unit to ensure proper fit.

MANUFACTURERS

- Hytec – 1-800-871-8311 – www.hytec.ca
- Maax – 1-800-438-6229 – www.maax.com
- Moen – 1-800-465-6130 – www.moen.ca
- Delta – 1-800-567-3300 – www.deltafaucet.ca
- American Standard – 1-800-387-0369 –
www.americanstandard.ca
- Kindred – 1-866-687-7465 –
www.kindred-sinkware.com
- Thermasol – 1-800-776-0711 – www.thermasol.com

BRADFORD WHITE ELECTRIC WATER HEATERS

Bradford White

Residential Energy Saver Electric Hot Water Heaters

FEATURES:

- All upright models equipped with two heat traps.
- Factory installed nipples for long life, easier installation.No special dielectric fittings required.
- Fully automatic controls include fast-acting surface-mount thermostat for automatic temperature control. Sensitive manual reset energy cutoff for safety to prevent overheating.
- Vitraglas® lined tank with ceramic porcelain-like coating resists corrosion and provides a tough interior surface for long life.
- Protective magnesium anode rod to neutralize the corrosive effect of water chemicals, fight rust and assure long tank life.
- Brass drain valve.
- Screw type immersion element.
- Warranty: 6 year or 10 year on stainless steel tank. 6 year limited warranty on parts.
- T&P valve relief valve. All models have special tappings on top of tank.
- Hydrojet® Total Performance System reduces cold inlet sediment build-up. Also increases 1st hour hot water delivery and minimizes temperature build-up at the top of the tank.
- Water connections are 3/4" npt. Electrical connections are 3/4". Certified to 300 PSI test pressure and 150 psi working pressure.
- UL listed.



BRADFORD WHITE®

ENERGY SAVER MI SERIES - 1" NON-CFC FOAM INSULATION

Cap. Gal.	Recovery Rate GPH	Style	Height Floor to Top	Height Floor to Water Conn.	Jacket Dia.	Wt.	Mfr#	Item#
30	20	Lowboy	30"	31"	22"	86 lb.	M-2-30L6DS	M230L6DS

DELUXE M2 SERIES - 2" NON-CFC FOAM INSULATION

40.	20	Upright	46-7/8"	47-7/8"	20"	103 lb.	M-2-40S6DS	M240S6DS
40	20	Upright	59-3/4"	60-3/4"	18"	110 lb.	M-2-40T6DS	M240T6DS
50	20	Upright	46-1/2"	47-1/2"	22"	130 lb.	M-2-50S6DS	M250S6DS
50	20	Upright	46-1/2"	47-1/2"	22"	130 lb.	M-2-50S6SS*	M250S6SS
50	20	Upright	57-1/2"	58-1/2"	20"	123 lb.	M-2-50T6DS	M250T6DS
65	20	Upright	59-1/4"	60-1/4"	22"	156 lb.	M-2-65R6DS	M265R6DS
80	20	Upright	59"	60-1/4"	24"	183 lb.	M-2-80R6DS	M280R6DS

*Single element model. All others shown here are double element models. Call your Local Branch for Price and Availability.