

# **GARAGE SKI SHOP**

## WALL INSTALLATION INSTRUCTIONS

PLEASE DO NOT TAKE THIS PRODUCT BACK TO THE STORE!  
PLEASE CALL: 1-888-691-2944

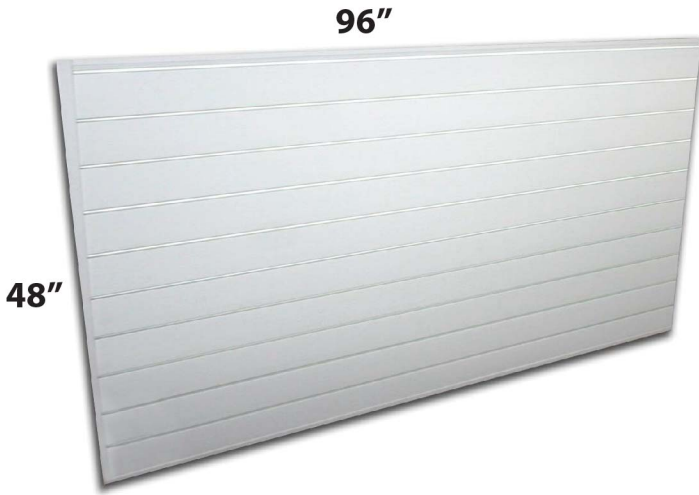
INSTALLATION



VIDEO

PROSLAT.COM/proslat-videos

88102 - 88105 - 88107



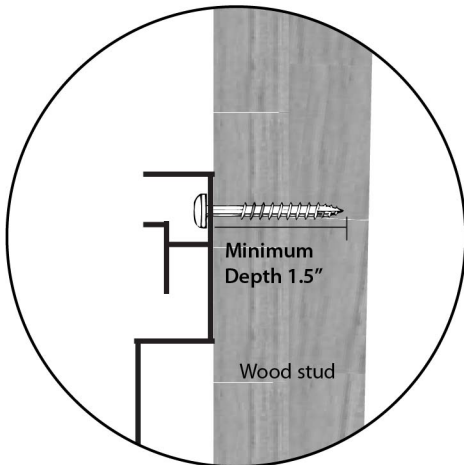
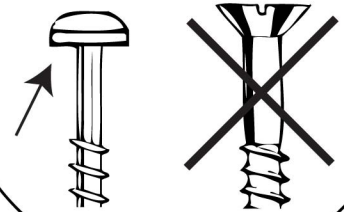
### TOOLS NEEDED:

- DRILL
- LEVEL
- STUD FINDER
- SNIPS

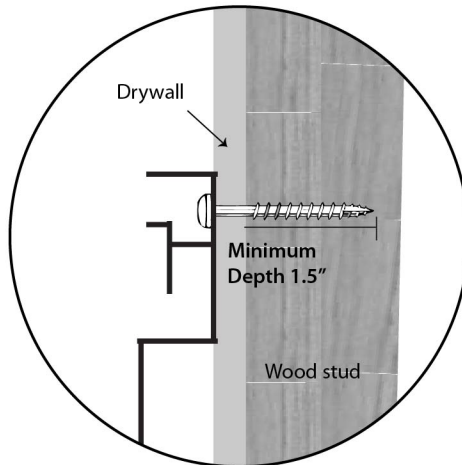


Some kits include 2" screws.  
See below for screw lengths.

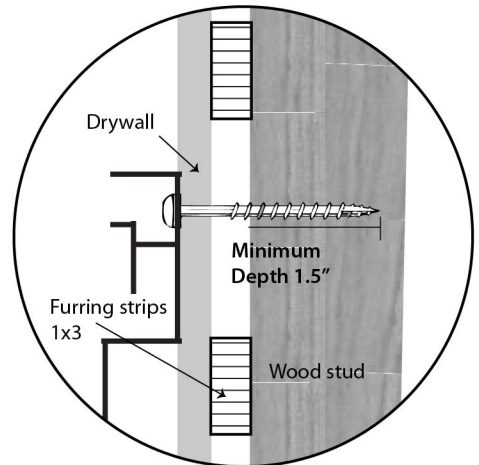
USE PAN HEAD SCREWS #8



DIRECTLY ONTO STUDS  
USE 1.5" OR 2" SCREWS



OVER DRYWALL  
USE 2" SCREWS



OVER DRYWALL AND STRAPPING  
USE 2.5" SCREWS

**STEP 1 - INSTALLATION VIDEO**



Watch our installation video for better understanding.

**STEP 2 - LOCATION**



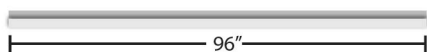
Decide at what height and location you would like to install your Proslat. It is strongly recommended you start & finish on studs. 16" apart in order to support 75 lbs per square foot.

**STEP 3 - FIND YOUR STUDS**



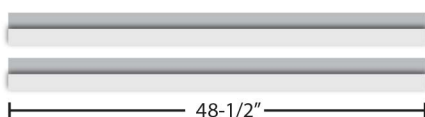
Once you have chosen your location, verify that you are starting and finishing on a stud and locate all studs between starting and finishing.

**STEP 4 - HORIZONTAL TRIM**



Cut one of your J trims at 96" for the bottom horizontal trim.  
If you are installing only one section high of panels, go to step 4A.  
If you are installing more than one section high (complete wall) go to step 4B.

**STEP 5 - VERTICAL TRIMS**



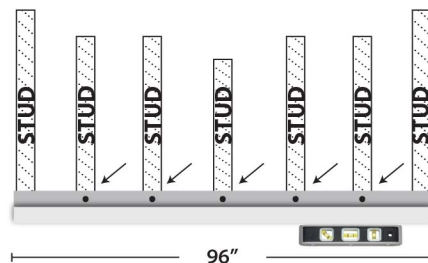
**4A - (one section)**

Cut one of your J trims into two pieces of 48-1/2".

**4B - (complete wall)**

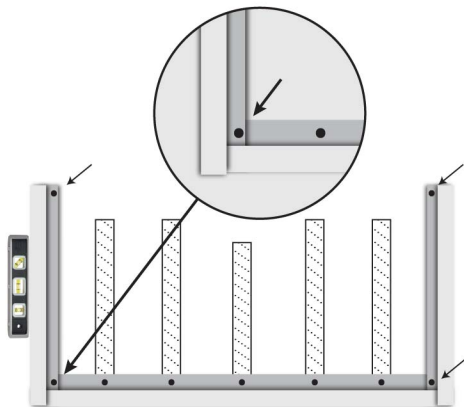
Open your second box and retrieve one of the 97" J trims and cut each to 96".

**STEP 6 - INSTALL HORIZONTAL TRIM**



For this step, it is best to have 2 people. Install your bottom J trim at desired starting height, level and screw into the middle 5 studs. Do not screw into the first or last stud.

**STEP 7 - INSTALL VERTICAL TRIMS**



Overlap your vertical trim with your horizontal trim and screw through both. Level vertical trim and install one screw at the top. Repeat on other side. Your panels will be screwed through the J trim all the way up therefore holding it in place.

**STEP 8 - INSTALL FIRST PANEL**



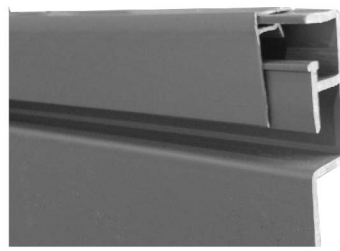
To install the first panel, insert one end of your panel (left or right) into the vertical J trim and slightly curve the panel so it will insert into the other vertical J trim. Make sure your panel is inserted into bottom J trim. Screw through the upper cavity of the panel into each stud (16" apart). Screws at either end of the panel will screw through the J trim and into your stud. This will hold your J trims to the wall.

### STEP 9 - INSTALL NEXT PANEL



Interlock one end of your next panel with the previous one, insert into one of your vertical J trims, curve your panel and insert into the other side. Make sure you screw all panels into every stud. Repeat until your section is done. Properly interlocked panels will conceal previous panel's installation screws.

### STEP 10 - INSTALL TOP TRIM



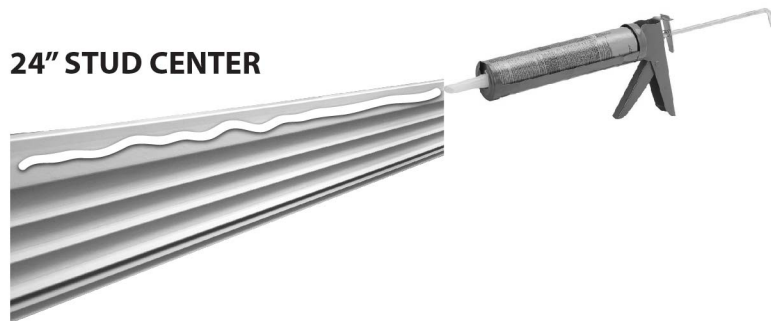
Install your top L trim by simply clipping it into the lip above screw cavity. If you have done a complete wall and you have had to cut your top panel to fit, you will need to use a little silicone to install.

### CONCRETE OR BLOCKWALL INSTALLATION

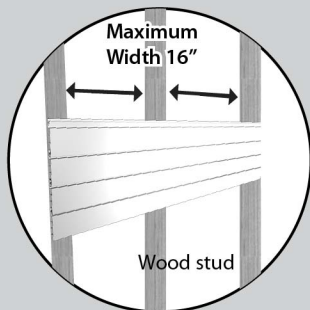


If your walls are made of concrete or blocks, you will need to fasten 2"x3" stud or furring strips using a cement screw and then install your Proslat to the studs.

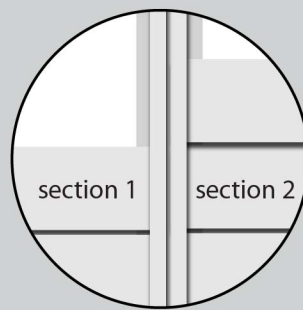
### 24" STUD CENTER



Our product is designed to hold 75 lbs per square foot when the studs are 16" apart. If your studs are wider apart please apply some adhesive to the back of the panel.



IN ORDER TO SUPPORT 75 LBS PER SQUARE FOOT. YOUR STUDS MUST BE A MAXIMUM OF 16" APART.



IF YOU ARE INSTALLING WIDER THAN 8 FT. OF PANELS, USE TWO J TRIMS BACK TO BACK TO HIDE THE JOINT.

**YOUR BOX CONTAINS**  
10 panels  
2 J trims (one for bottom, second for left & right sides)  
1 L trim  
Screws

**PROSLAT WALL PANELS SUPPORT UP TO 75 LBS PER SQUARE FOOT**

# Evolia Home Storage & Organization by Proslat

## Your Storage | Your Way

To find your nearest Evolia Closet or Proslat Dealer, see more options and get answers to any questions you may have, please visit [www.evoliacloset.com](http://www.evoliacloset.com) or email us at [info@proslat.com](mailto:info@proslat.com)

## PANELS

### General Specifications:

Evolia Panels by Proslat are solid-core, extruded PVC panels of 90% recycled content. Furnish and install in any area requiring modular, functional storage. Evolia PVC slatwall panels by are manufactured by Solutions Murales Proslat Inc. of Chateauguay, Quebec Canada.

### Evolia Panels are:

- Made in Canada of 90% Recycled PVC
- 25 Times more Impact Resistant than drywall
- Easy to install & maintain
- Rugged & durable. Will hold up to 75 lbs./sq ft.
- Flexible, modular storage that will change to suit your needs



**MADE IN  
CANADA**



### Evolia by Proslat PVC Slatwall Physical Properties:

- Materials: Rigid Polyvinyl Chloride
- Tensile Strength: 6100 psi
- Channel Spacing: 4 3/4" on center
- Panel Thickness: 2mm
- Flame Rating: Meets UL 94 5VA Flame Rating (see technical data sheet for Raw Materials as attached)
- Mounting Hardware: Components shall provide for panel installation over drywall. In order to maintain superior weight bearing capacity, secure to studs every 16".
- All trims and necessary hardware included.

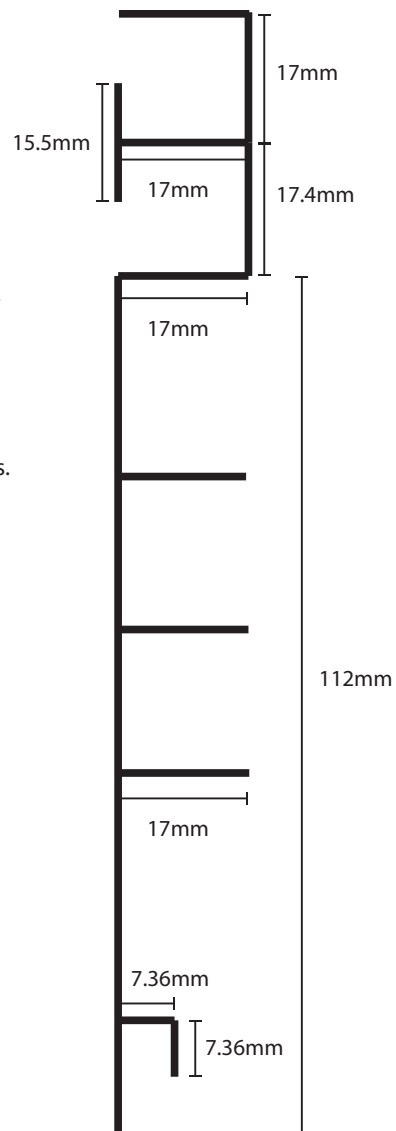
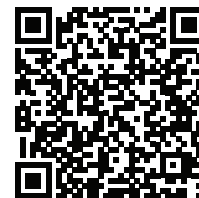
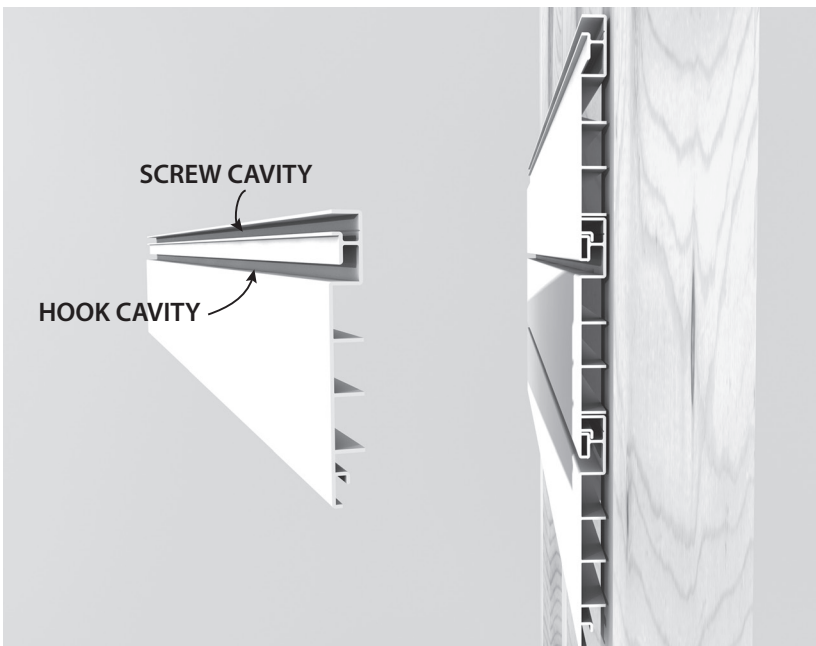
### Installation instructions:

All necessary mounting hardware and screws are included for Evolia by Proslat panels. Simply install bottom and side J trims using a level and a drill to studs, securing each panel above the next and interlocking to conceal the screw channel of the previous panel. When finished, clip the L bracket in place at the top.

For detailed installation instructions, or to watch the video tutorial with hints and tips on trimming around doors, windows outlets and switches, visit us at <http://www.evoliacloset.com/instructions/> or scan the QR code to immediately re-direct on your mobile.

### Cleaning & Maintenance:

Clean your Evolia panels with a damp cloth or sponge and mild soap and dry with soft cloth. Do not use abrasives.





# Evolia Home Storage & Organization by Proslat

## Your Storage | Your Way

To find your nearest Evolia Closet or Proslat Dealer, see more options and get answers to any questions you may have, please visit [www.evoliacloset.com](http://www.evoliacloset.com) or email us at [info@proslat.com](mailto:info@proslat.com)

## ACCESSORIES

### General Specifications:

- Heavy-duty, powder-coated steel
- Designed to fit Evolia & Proslat panels exclusively
- Engineered to hold greater load capacity than similar items
- Modular and flexible, designed to be re-arranged or added to as needs change

### 48" Shelf & Rail:

- Will support up to 150 lbs.
- Wire thickness: 7mm & 2.5mm
- 48" W x 12" D x 3" H
- Spacing 2.5", 6"

### 24" Linen Shelf:

- Will support up to 100 lbs.
- Wire thickness: 4.75mm & 3 mm
- 24" W x 12" D x 4" H
- Spacing 1.5"

### 24" Basket:

- Will support up to 75 lbs.
- Wire thickness: 6 mm & 3 mm
- 24" W x 12.5" D x 8" H
- Spacing 1", 2"

### 12" Cascade:

- 5 Hooks
- Will hold up to 50 lbs.
- 3" W x 14" D x 13" H

### 3" Single Hook:

- Will Hold up to 20 lbs.
- 8 mm diameter hook with 14 mm diameter ball tip
- 1.5" W x 3" D x 3" H



### Installation instructions:

Simply clip Evolia by Proslat Basics Series Accessories into place wherever you want them. 48" & 24" Hang rails do require use of diagonal supports, which are supplied. Put your shelf where you like it, clip your support into the panel to level the shelf and tighten the thumb screw to lock into place. Re-arrange or add accessories as often as you need to. Available on Amazon.com and many other fine retailers.

Contact [info@proslat.com](mailto:info@proslat.com) for a list of dealers in your area.

### Cleaning & Maintenance:

Clean your Evolia panels with a damp cloth or sponge and mild soap and dry with soft cloth. Do not use abrasives.



**MADE IN  
CANADA**

